

GA - GROUNDING CLAMP

GA-12

Description

Purpose: Connection between ground rod and cable or rebar-cable. Suitable for CS - COPPERSTEEL or copper cables.

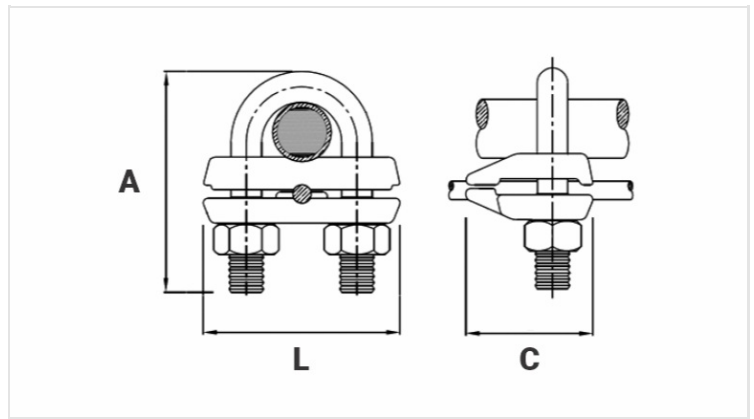
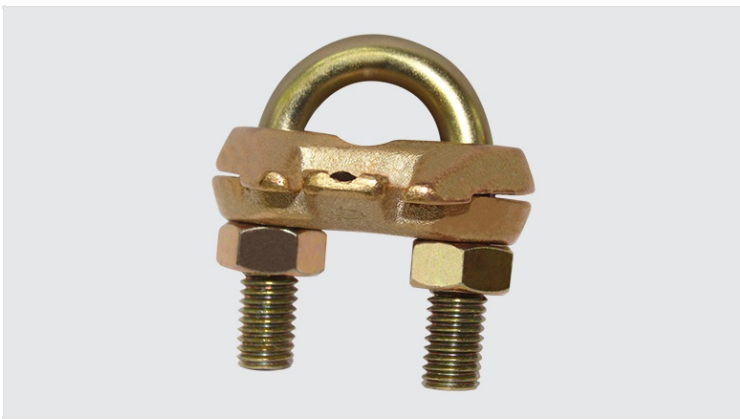
Characteristics: Tightening connection. High electrical conductivity and corrosion resistant. Allows connecting conductors in parallel.

Application: Grounding systems in general.

Material: Copper alloy body. Clamp: electrolytic zinc plated steel (GA-12) or copper alloy (GA-38).

Finish: GA-38 tin plated

Application Tool: Spanner set or open-ended wrench.



Datasheet

"U" Clamp Material

Aço Zincado Eletrolítico

Ground Rod Nominal Diameter (inches)

1/2"

Steel Rebar Diameter (Inches)

-

Conductor

AWG/MCM

Fio 8 - 6

mm²

Fio 10 - 16

Dimensions (mm)

L

42,0

A

45,0

C

27,0

Package

Qtd / Emb

50

Peso Unit. (g)

92,00