

GA - GROUNDING CLAMP

GA-38

Description

Purpose: Connection between ground rod and cable or rebar-cable. Suitable for CS - COPPERSTEEL or copper cables.

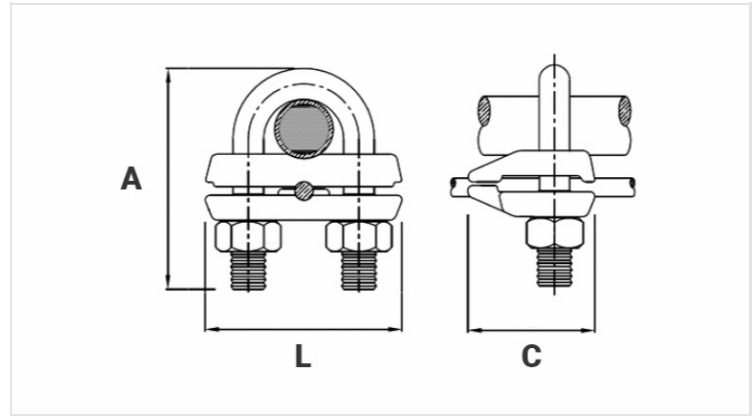
Characteristics: Tightening connection. High electrical conductivity and corrosion resistant. Allows connecting conductors in parallel.

Application: Grounding systems in general.

Material: Copper alloy body. Clamp: electrolytic zinc plated steel (GA-12) or copper alloy (GA-38).

Finish: GA-38 tin plated

Application Tool: Spanner set or open-ended wrench.



Datasheet

"U" Clamp Material

Liga de Cobre

Ground Rod Nominal Diameter (inches)

3/8"

Steel Rebar Diameter (Inches)

5/16" - 3/8"

Conductor

AWG/MCM

8 - 1/0

mm²

10 - 50

Dimensions (mm)

L

33,0

A

51,00

C

26,0

Package

Qtd / Emb

50

Peso Unit. (g)

88,00