

GTDU - U-BOLT GROUNDING CLAMP (1 CONDUCTOR)

GTDU-3/8"-IPS-2/0-250

Description

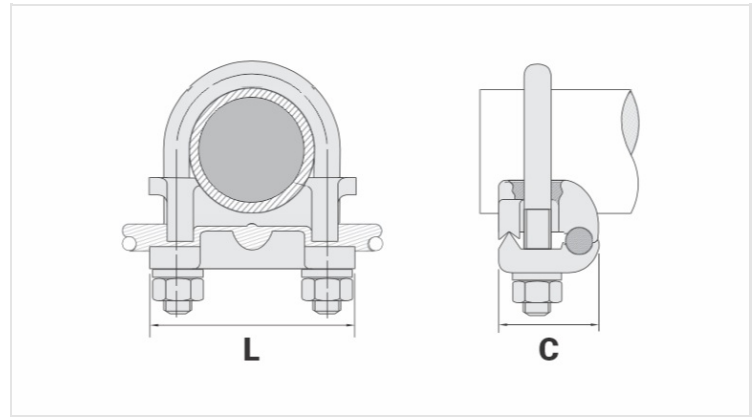
Purpose: Connection between ground rod to cable or IPS tube-cable. Suitable for COPPERSTEEL or copper cables.

Characteristics: Tightening connection. High electrical conductivity and corrosion resistant. It allows you to connect a cable, at 90° in relation to the rod / IPS tube.

Application: Grounding systems in general (power distribution systems, grounding grids, residential, building and industrial grounding, grounding in telecommunication networks, grounding in substations).

Material: Copper alloy clamp, fittings in copper alloy or electrolytic zinc plated steel.

Application Tool: Spanner set or open-ended wrench.



Datasheet

Conductor

AWG/MCM

2/0 - 250

mm²

70 - 120

Ground Rod Nominal Diameter (inches)

5/8" - 3/4"

IPS Tube

3/8"

Accessory Material

Aço Zincado

Dimensions

L

54,0

A

C

48,0

Parafuso "U"

M10

Figura

1

Package

Qtd / Emb

15

Peso Unit. (g)

395,00