

**GTDU - U-BOLT GROUNDING CLAMP (1 CONDUCTOR)**

GTDU-3/8"-IPS-4-2/0

**Description**

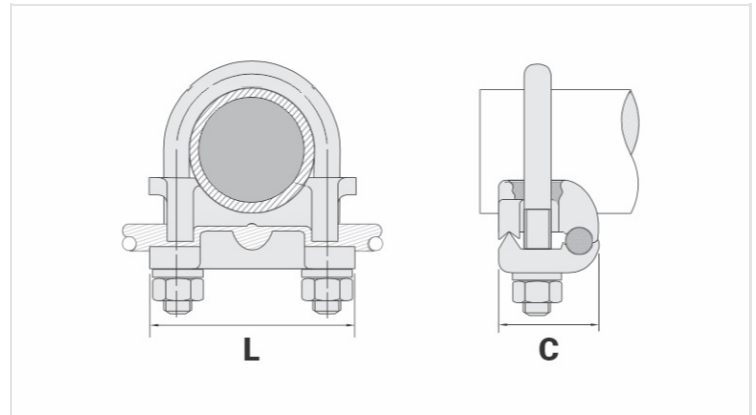
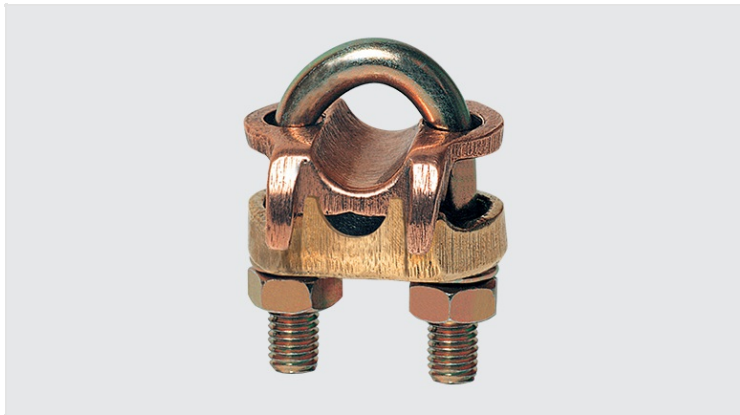
**Purpose:** Connection between ground rod to cable or IPS tube-cable. Suitable for COPPERSTEEL or copper cables.

**Characteristics:** Tightening connection. High electrical conductivity and corrosion resistant. It allows you to connect a cable, at 90° in relation to the rod / IPS tube.

**Application:** Grounding systems in general (power distribution systems, grounding grids, residential, building and industrial grounding, grounding in telecommunication networks, grounding in substations).

**Material:** Copper alloy clamp, fittings in copper alloy or electrolytic zinc plated steel.

**Application Tool:** Spanner set or open-ended wrench.



**Datasheet**

**Conductor**

AWG/MCM 4 - 2/0

mm<sup>2</sup> 16 - 70

**Ground Rod Nominal Diameter (inches)**

5/8" - 3/4"

**IPS Tube**

3/8"

**Accessory Material**

Liga de Cobre

**Dimensions**

L 52,0

A

C 40,0

Parafuso "U" M10

Figura 1

**Package**

Qtd / Emb 20

Peso Unit. (g) 263,00