

**GTDU - U-BOLT GROUNDING CLAMP (1 CONDUCTOR)**

GTDU 3.1/2" IPS 4-2/0

**Description**

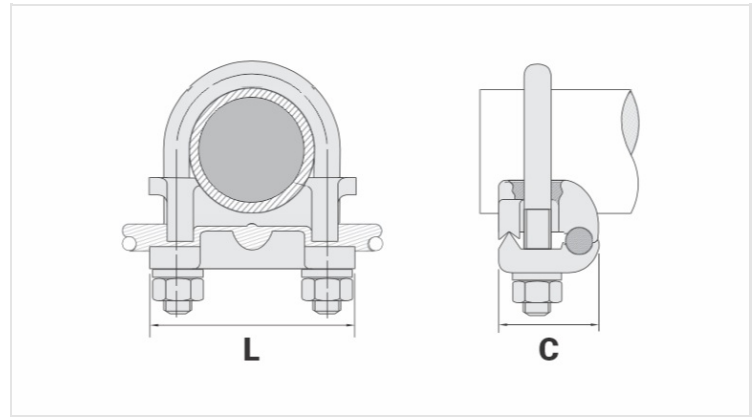
**Purpose:** Connection between ground rod to cable or IPS tube-cable. Suitable for COPPERSTEEL or copper cables.

**Characteristics:** Tightening connection. High electrical conductivity and corrosion resistant. It allows you to connect a cable, at 90° in relation to the rod / IPS tube.

**Application:** Grounding systems in general (power distribution systems, grounding grids, residential, building and industrial grounding, grounding in telecommunication networks, grounding in substations).

**Material:** Copper alloy clamp, fittings in copper alloy or electrolytic zinc plated steel.

**Application Tool:** Spanner set or open-ended wrench.



**Datasheet**

**Conductor**

AWG/MCM

4 - 2/0

mm<sup>2</sup>

16 - 70

**Ground Rod Nominal Diameter (inches)**

-

**IPS Tube**

3.1/2"

**Accessory Material**

**Dimensions**

L

145,0

A

C

46,0

Parafuso "U"

M10

Figura

1

**Package**

Qtd / Emb

Peso Unit. (g)