

**GTDU2C - U-BOLT GROUNDING CLAMP (2 CONDUCTORS)**

GTDU2C 3/8" IPS 8-4

**Description**

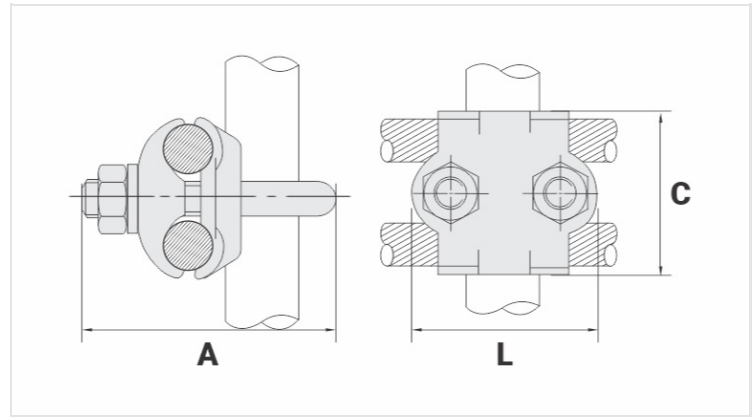
**Purpose:** Connection between ground rod to cable or IPS tube-cable. Suitable for COPPERSTEEL or copper cables.

**Characteristics:** Tightening connection. High electrical conductivity and corrosion resistant. It allows you to connect two parallel cables.

**Application:** Grounding systems in general (power distribution systems, grounding grids, residential, building and industrial grounding, grounding in telecommunication networks, grounding in substations).

**Material:** Copper alloy clamp, fittings in copper alloy or electrolytic zinc plated steel.

**Application Tool:** Spanner set or open-ended wrench.



**Datasheet**

**Conductor**

AWG/MCM 8 - 4

mm<sup>2</sup> 10 - 25

**Ground Rod Nominal Diameter (inches)**

5/8" - 3/4"

**IPS Tube**

1/4"

**Accessory Material**

**Dimensions**

L 53,0

A

C 34,0

Parafuso "U" M10

Figura 2

**Package**

Qtd / Emb

Peso Unit. (g)