

PH - DRIVING STUD

PH-34

Description

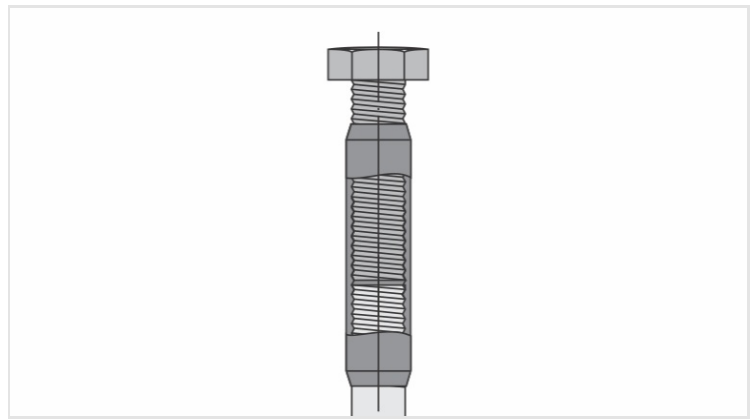
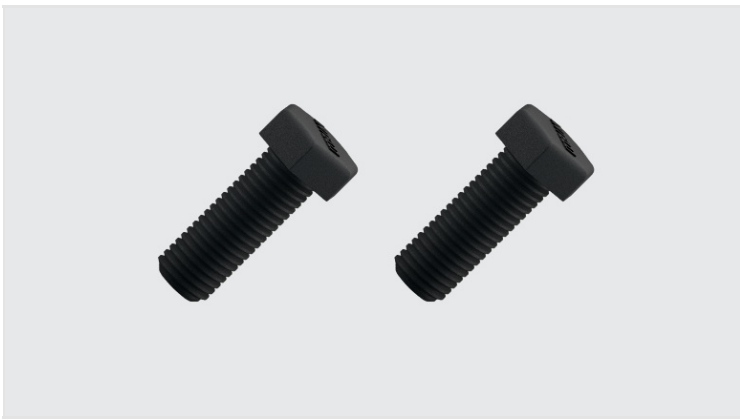
Purpose: Used for driving sectional copperbonded ground rods (IHP).

Characteristics: High impact and shock resistance.

Application: Grounding of sectional copperbonded ground rod. The driving stud is attached to the coupling to prevent damage to the threads of the stud during ground rod driving.

Material: High mechanical resistance steel.

Finish: Black oxidation.



Datasheet

Threaded Couplings LEH	LEH-34-R
Thread / Length of Screw	3/4" UNC x 2"
Package	
Qtd / Emb	50
Peso Unit. (g)	156,00