

**LEH - THREADED COUPLINGS FOR SECTIONAL GROUND ROD**

LEH-1-R

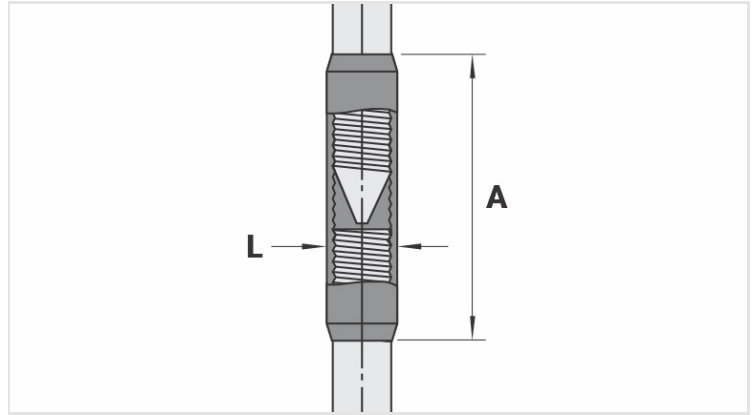
**Description**

**Purpose:** Connecting two ground rods (IHP) to extend total length.

**Characteristics:** High resistance to corrosion. Ensures a good connection between the sectional copperbonded ground rods.

**Application:** Grounding systems in general.

**Material:** Copper alloy.



**Datasheet**

<b>Thread / Ground Rod (Inches)</b>	1"
<b>Dimensions (mm)</b>	
L	32,0
A	100,0
<b>Package</b>	
Qtd / Emb	10
Peso Unit. (g)	270,00