

**TM - COPPER COMPRESSION TERMINAL (ONE HOLE / SHORT BARREL)**

TM-16-6

**Description**

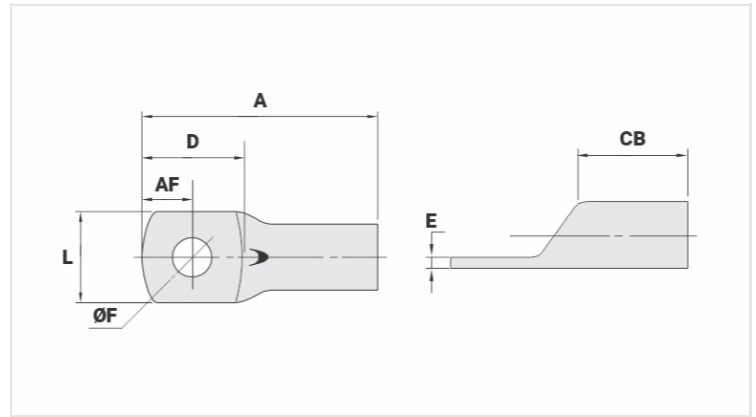
**Purpose:** Termination of copper conductors.

**Characteristics:** High electrical conductivity and corrosion resistance. Pad with several hole diameter options and optimum electrical contact.

**Applications:** Electrical panels, circuit breaker connections, motors, machines, busbars, electrical distribution boards, among others.

**Material:** Electrolytic copper.

**Finish:** Tin plated.



**Datasheet**

**Conductors - Cross Section (mm<sup>2</sup>)** 16

**Dimensions (mm)**

Diâmetro do Furo (mm)	6,5
Parafuso*	
Pol.	3/16
Métrico	M5
L	11,3
A	28,0
CB	10,0
AF	6,0
D	13,5
E	2,0

**Current (A)** 137

**Application Tool**

Alicate Mecânico	
Modelo	AT-60/68
Matriz (AT-60)	IW-5
Alicate Hidráulico (AY-96 / CY-96)	
Matriz Circunf.	IU-5
Matriz Hexagonal	H-5

**Package**

Qtd / Emb

100

Peso Unit. (g)

4,78