

TM - COPPER COMPRESSION TERMINAL (ONE HOLE / SHORT BARREL)

TM-35

Description

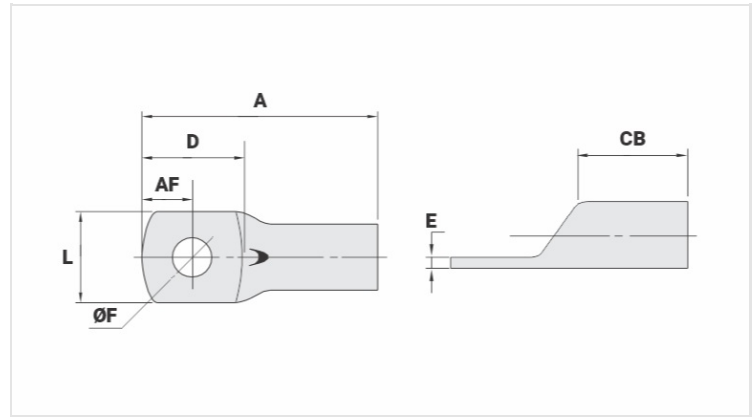
Purpose: Termination of copper conductors.

Characteristics: High electrical conductivity and corrosion resistance. Pad with several hole diameter options and optimum electrical contact.

Applications: Electrical panels, circuit breaker connections, motors, machines, busbars, electrical distribution boards, among others.

Material: Electrolytic copper.

Finish: Tin plated.



Datasheet

Conductors - Cross Section (mm²)

35

Dimensions (mm)

Diâmetro do Furo (mm)

8,5

Parafuso*

Pol.

5/16

Métrico

M8

L

15,0

A

36,0

CB

12,0

AF

8,0

D

17,5

E

2,4

Current (A)

226

Application Tool

Alicate Mecânico

Modelo

AT60/68

Matriz (AT-60)

IW-4

Alicate Hidráulico (AY-96 / CY-96)

Matriz Circunf.

IU-2

Matriz Hexagonal

H-2

Package

Qtd / Emb

100

Peso Unit. (g)

9,50