

**TM - COPPER COMPRESSION TERMINAL (ONE HOLE / SHORT BARREL)**

TM-95-8

**Description**

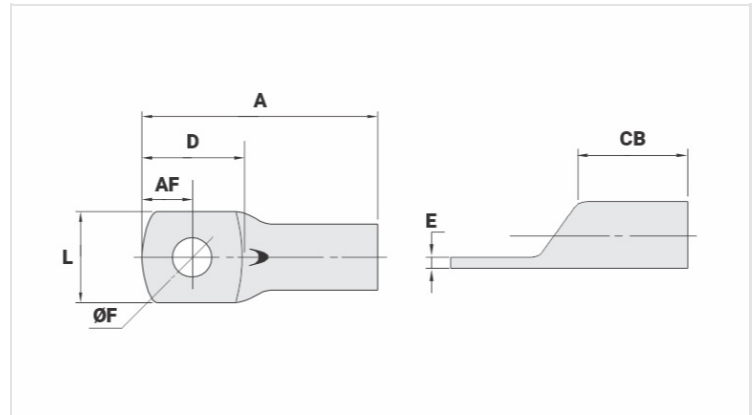
**Purpose:** Termination of copper conductors.

**Characteristics:** High electrical conductivity and corrosion resistance. Pad with several hole diameter options and optimum electrical contact.

**Applications:** Electrical panels, circuit breaker connections, motors, machines, busbars, electrical distribution boards, among others.

**Material:** Electrolytic copper.

**Finish:** Tin plated.



**Datasheet**

**Conductors - Cross Section (mm<sup>2</sup>)**

95

**Dimensions (mm)**

Diâmetro do Furo (mm)

8,5

Parafuso\*

Pol.

3/8

Métrico

M10

L

24,0

A

49,0

CB

17,5

AF

10,0

D

22,0

E

3,0

**Current (A)**

43,0

**Application Tool**

Alicate Mecânico

Modelo

AT-60/68

Matriz (AT-60)

IW-27

Alicate Hidráulico (AY-96 / CY-96)

Matriz Circunf.

IU-27

Matriz Hexagonal

H-27

**Package**

Qtd / Emb

50

Peso Unit. (g)

28,50