

TM - COPPER COMPRESSION TERMINAL (ONE HOLE / SHORT BARREL)

TM-150-17

Description

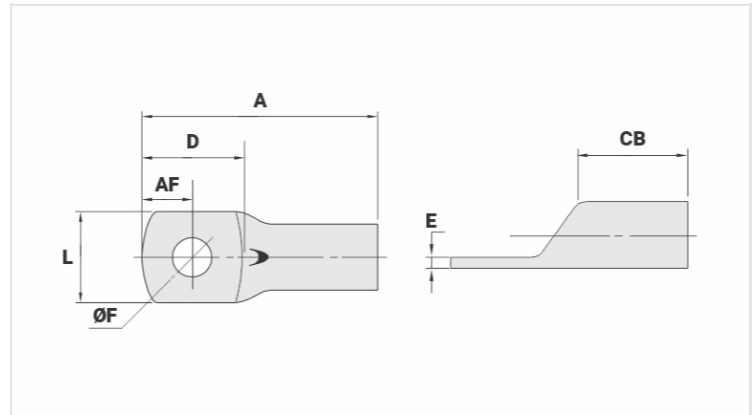
Purpose: Termination of copper conductors.

Characteristics: High electrical conductivity and corrosion resistance. Pad with several hole diameter options and optimum electrical contact.

Applications: Electrical panels, circuit breaker connections, motors, machines, busbars, electrical distribution boards, among others.

Material: Electrolytic copper.

Finish: Tin plated.



Datasheet

Conductors - Cross Section (mm²) 150

Dimensions (mm)

Diâmetro do Furo (mm) 17,5

Parafuso*

Pol. 1/2

Métrico M12

L 30,0

A 67,0

CB 24,0

AF 13,0

D 29,5

E 3,6

Current (A) 577

Application Tool

Alicate Mecânico

Modelo -

Matriz (AT-60) -

Alicate Hidráulico (AY-96 / CY-96)

Matriz Circunf. IU-30

Matriz Hexagonal H-30

Package

Qtd / Emb

30

Peso Unit. (g)

53,40