

TM - COPPER COMPRESSION TERMINAL (ONE HOLE / SHORT BARREL)

TM-630-20

Description

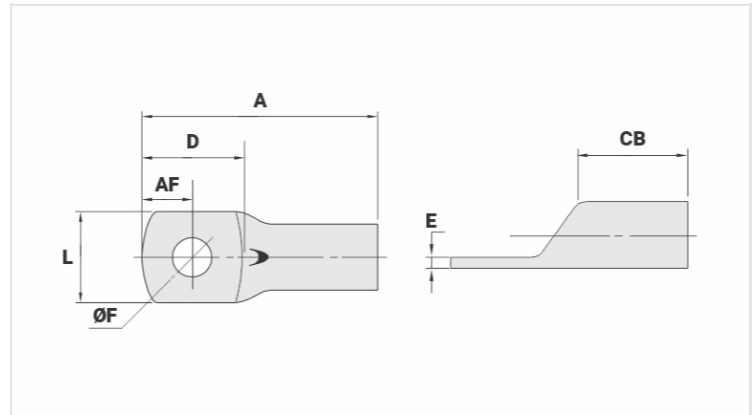
Purpose: Termination of copper conductors.

Characteristics: High electrical conductivity and corrosion resistance. Pad with several hole diameter options and optimum electrical contact.

Applications: Electrical panels, circuit breaker connections, motors, machines, busbars, electrical distribution boards, among others.

Material: Electrolytic copper.

Finish: Tin plated.



Datasheet

Conductors - Cross Section (mm²) 630

Dimensions (mm)

Diâmetro do Furo (mm)	20,0
Parafuso*	
Pol.	5/8
Métrico	M16
L	61,2
A	125,0
CB	50,5
AF	22,5
D	51,0
E	6,3

Current (A) 1454

Application Tool

Alicate Mecânico	
Modelo	-
Matriz (AT-60)	-
Alicate Hidráulico (AY-96 / CY-96)	
Matriz Circunf.	-
Matriz Hexagonal	-

Package

Qtd / Emb

6

Peso Unit. (g)

412,00