

TM-L - COPPER COMPRESSION TERMINAL (ONE HOLE / LONG BARREL)

TM-120-L-10

Description

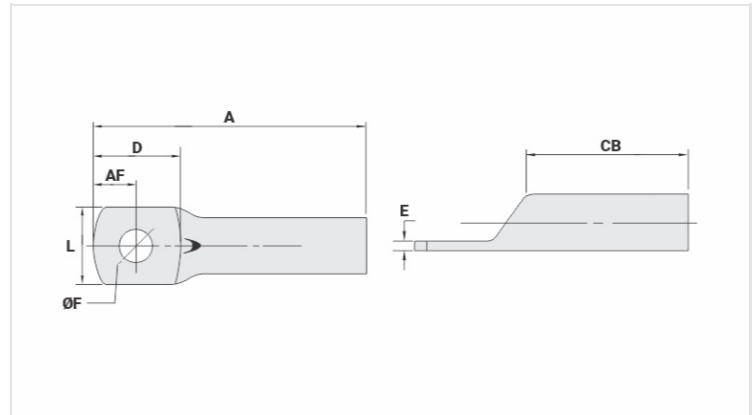
Purpose: Termination of copper conductors.

Characteristics: High electrical conductivity and corrosion resistance. Pad with several hole diameter options and optimum electrical contact.

Applications: Electrical panels, circuit breaker connections, motors, machines, busbars, electrical distribution boards, among others.

Material: Electrolytic copper.

Finish: Tin plated.



Datasheet

Conductors - Cross Section (mm²) 120

Dimensions (mm)

Diâmetro do Furo (mm) 10,5

Parafuso*

Pol. 1/2

Métrico M12

L 27,0

A 75,0

CB 36,0

AF 13,3

D 29,5

E 3,3

Current (A) 500

Application Tool

Alicate Mecânico

Modelo AT-60/68

Matriz (AT-60) IW-29

Alicate Hidráulico (AY-96 / CY-96)

Matriz Circunf. IU-29

Matriz Hexagonal H-29

Package

Qtd / Emb

40

Peso Unit. (g)

55,30