

TM-L - COPPER COMPRESSION TERMINAL (ONE HOLE / LONG BARREL)

TM--300-L

Description

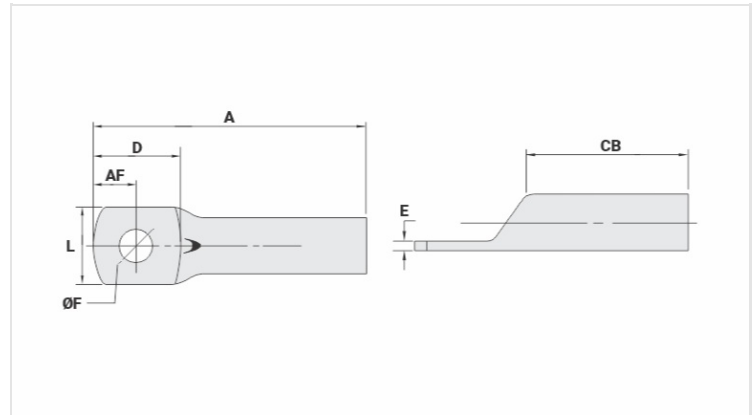
Purpose: Termination of copper conductors.

Characteristics: High electrical conductivity and corrosion resistance. Pad with several hole diameter options and optimum electrical contact.

Applications: Electrical panels, circuit breaker connections, motors, machines, busbars, electrical distribution boards, among others.

Material: Electrolytic copper.

Finish: Tin plated.



Datasheet

Conductors - Cross Section (mm²) 300

Dimensions (mm)

| | |
|-----------------------|-------|
| Diâmetro do Furo (mm) | 13,8 |
| Parafuso* | |
| Pol. | 1/2 |
| Métrico | M12 |
| L | 41,5 |
| A | 104,0 |
| CB | 48,0 |
| AF | 19,0 |
| D | 40,0 |
| E | 5,0 |

Current (A) 902

Application Tool

| | |
|------------------------------------|-------|
| Alicate Mecânico | |
| Modelo | - |
| Matriz (AT-60) | - |
| Alicate Hidráulico (AY-96 / CY-96) | |
| Matriz Circunf. | IU-36 |
| Matriz Hexagonal | H-36 |

Package

Qtd / Emb

10

Peso Unit. (g)

170,00