

**TM-L - COPPER COMPRESSION TERMINAL (ONE HOLE / LONG BARREL)**

TM-400-L

**Description**

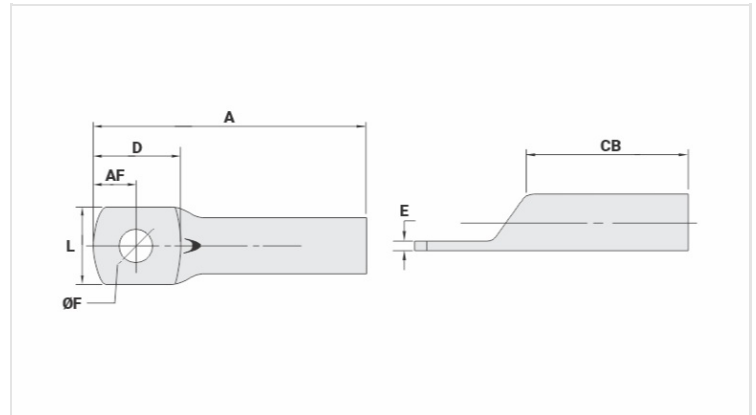
**Purpose:** Termination of copper conductors.

**Characteristics:** High electrical conductivity and corrosion resistance. Pad with several hole diameter options and optimum electrical contact.

**Applications:** Electrical panels, circuit breaker connections, motors, machines, busbars, electrical distribution boards, among others.

**Material:** Electrolytic copper.

**Finish:** Tin plated.



**Datasheet**

**Conductors - Cross Section (mm<sup>2</sup>)** 400

**Dimensions (mm)**

Diâmetro do Furo (mm)	13,8
Parafuso*	
Pol.	1/2
Métrico	M12
L	46,5
A	125,0
CB	62,0
AF	19,0
D	44,0
E	5,3

**Current (A)** 1085

**Application Tool**

Alicate Mecânico	
Modelo	-
Matriz (AT-60)	-
Alicate Hidráulico (AY-96 / CY-96)	
Matriz Circunf.	IU-40
Matriz Hexagonal	H-40

**Package**

Qty / Emb

8

Peso Unit. (g)

270,00