

TM-L - COPPER COMPRESSION TERMINAL (ONE HOLE / LONG BARREL)

TM-630-L-20

Description

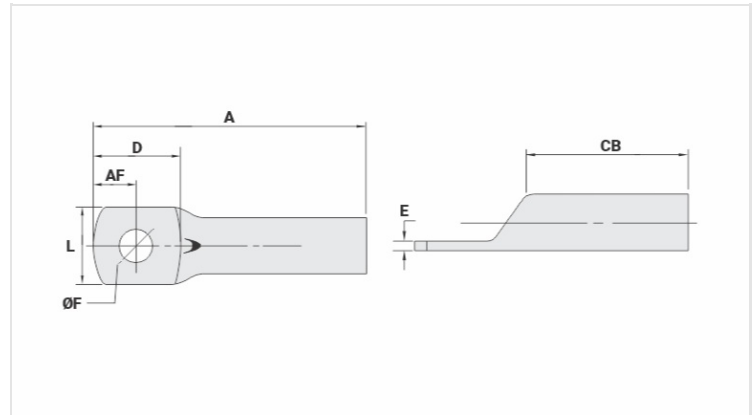
Purpose: Termination of copper conductors.

Characteristics: High electrical conductivity and corrosion resistance. Pad with several hole diameter options and optimum electrical contact.

Applications: Electrical panels, circuit breaker connections, motors, machines, busbars, electrical distribution boards, among others.

Material: Electrolytic copper.

Finish: Tin plated.



Datasheet

Conductors - Cross Section (mm²) 630

Dimensions (mm)

Diâmetro do Furo (mm)	20,0
Parafuso*	
Pol.	1/2
Métrico	M12
L	61,2
A	144,5
CB	70,0
AF	22,0
D	51,0
E	6,3

Current (A) 1454

Application Tool

Alicate Mecânico	
Modelo	-
Matriz (AT-60)	-
Alicate Hidráulico (AY-96 / CY-96)	
Matriz Circunf.	-
Matriz Hexagonal	-

Package

Qtd / Emb

8

Peso Unit. (g)

467,00