

TM-2 - COPPER COMPRESSION TERMINAL (TWO HOLES / SHORT BARREL)

TM-300-2

Description

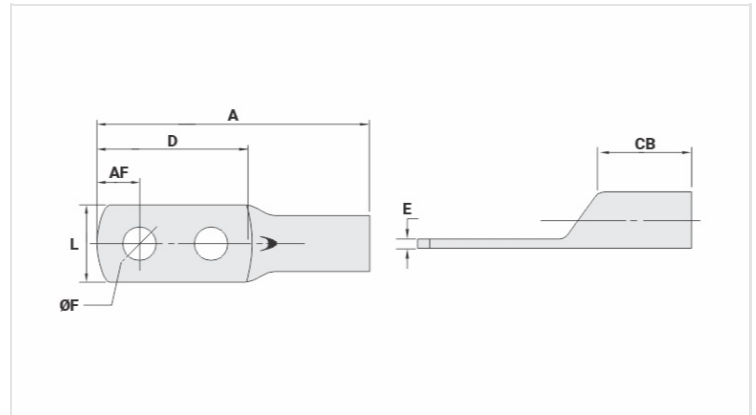
Purpose: Termination of copper conductors.

Characteristics: High electrical conductivity and corrosion resistance. Pad with several hole diameter options and optimum electrical contact.

Applications: Electrical panels, circuit breaker connections, motors, machines, busbars, electrical distribution boards, among others.

Material: Electrolytic copper.

Finish: Tin plated.



Datasheet

Conductors - Cross Section (mm²) 300

Dimensions (mm)

Diâmetro do Furo (mm)	13,8
Parafuso*	
Pol.	1/2
Métrico	M12
L	41,5
A	136,0
CB	33,0
AF	19,0
D	84,4
E	5,0

Current (A) 902

Application Tool

Alicate Mecânico	
Modelo	-
Matriz (AT-60)	-
Alicate Hidráulico (AY-96 / CY-96)	
Matriz Circunf.	IU-36
Matriz Hexagonal	H-36

Package

Qty / Emb

20

Peso Unit. (g)

226,00