

**TM-2L - COPPER COMPRESSION TERMINAL (TWO HOLES / LONG BARREL)**

TM-50-2L

**Description**

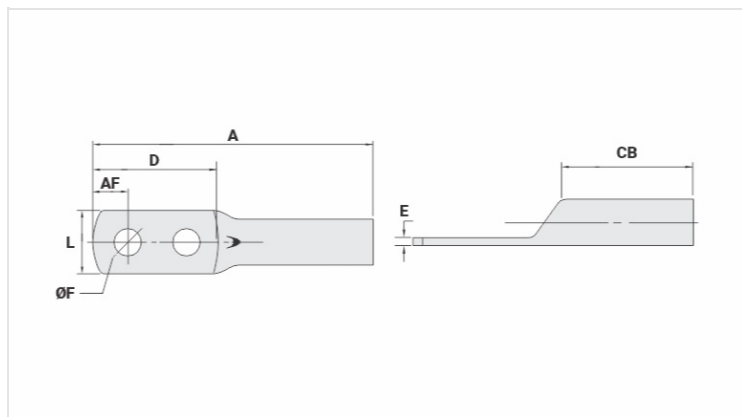
**Purpose:** Termination of copper conductors.

**Characteristics:** High electrical conductivity and corrosion resistance. Pad with several hole diameter options and optimum electrical contact.

**Applications:** Electrical panels, circuit breaker connections, motors, machines, busbars, electrical distribution boards, among others.

**Material:** Electrolytic copper.

**Finish:** Tin plated.



**Datasheet**

**Conductors - Cross Section (mm<sup>2</sup>)** 50

**Dimensions (mm)**

Diâmetro do Furo (mm) 8,5

Parafuso\*

Pol. 5/16

Métrico M8

L 18,0

A 75,0

CB 26,5

AF 9,0

D 42,0

E 2,7

**Current (A)** 275

**Application Tool**

Alicate Mecânico

Modelo AT-60/68

Matriz (AT-60) IW-1

Alicate Hidráulico (AY-96 / CY-96)

Matriz Circunf. IU-25\*\*

Matriz Hexagonal H-25

**Package**

Qtd / Emb

50

Peso Unit. (g)

28,50