

**TM-2L - COPPER COMPRESSION TERMINAL (TWO HOLES / LONG BARREL)**

TM-150-2L

**Description**

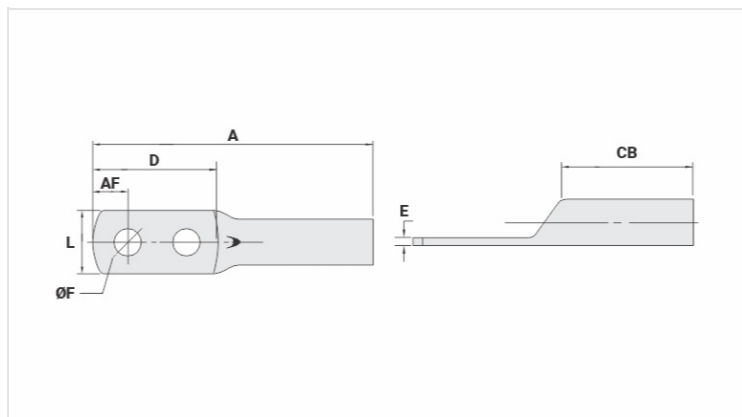
**Purpose:** Termination of copper conductors.

**Characteristics:** High electrical conductivity and corrosion resistance. Pad with several hole diameter options and optimum electrical contact.

**Applications:** Electrical panels, circuit breaker connections, motors, machines, busbars, electrical distribution boards, among others.

**Material:** Electrolytic copper.

**Finish:** Tin plated.



**Datasheet**

**Conductors - Cross Section (mm<sup>2</sup>)** 150

**Dimensions (mm)**

Diâmetro do Furo (mm) 13,8

Parafuso\*

Pol. 1/2

Métrico M12

L 30,0

A 124,0

CB 38,5

AF 13,0

D 74,0

E 3,6

**Current (A)** 577

**Application Tool**

Alicate Mecânico

Modelo -

Matriz (AT-60) -

Alicate Hidráulico (AY-96 / CY-96)

Matriz Circunf. IU-30

Matriz Hexagonal H-30

**Package**

Qtd / Emb

20

Peso Unit. (g)

110,00