

TM-2L - COPPER COMPRESSION TERMINAL (TWO HOLES / LONG BARREL)

TM-185-2L

Description

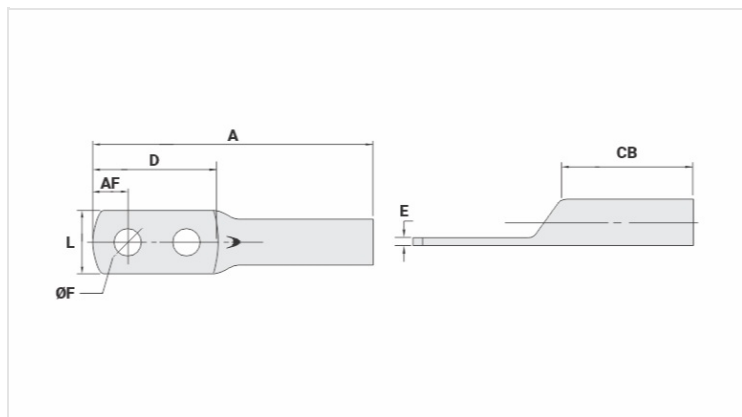
Purpose: Termination of copper conductors.

Characteristics: High electrical conductivity and corrosion resistance. Pad with several hole diameter options and optimum electrical contact.

Applications: Electrical panels, circuit breaker connections, motors, machines, busbars, electrical distribution boards, among others.

Material: Electrolytic copper.

Finish: Tin plated.



Datasheet

Conductors - Cross Section (mm²) 185

Dimensions (mm)

Diâmetro do Furo (mm) 13,8

Parafuso*

Pol. 1/2

Métrico M12

L 32,4

A 124,5

CB 39,0

AF 13,5

D 73,9

E 3,8

Current (A) 661

Application Tool

Alicate Mecânico

Modelo -

Matriz (AT-60) -

Alicate Hidráulico (AY-96 / CY-96)

Matriz Circunf. IU-31

Matriz Hexagonal H-31

Package

Qtd / Emb

20

Peso Unit. (g)

122,00