

TF - COPPER TERMINAL FOR FLEXIBLE CONDUCTORS (ONE HOLE / SHORT BARREL)

TF-6-6

Description

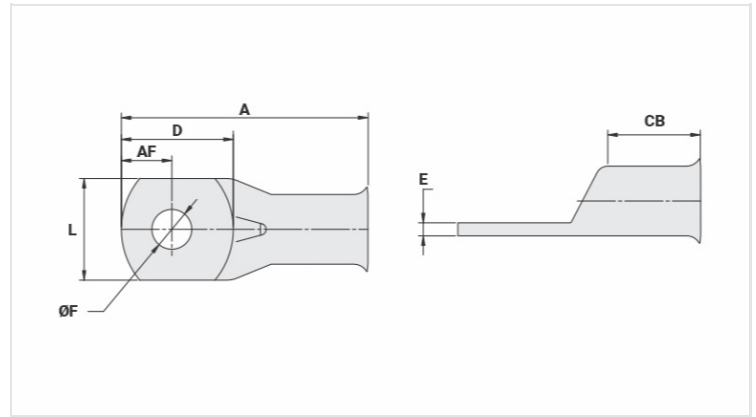
Purpose: Termination of copper conductors.

Characteristics: High electrical conductivity and corrosion resistance. Pad with several hole diameter options and optimum electrical contact. Expanded shape barrel for easy insertion of flexible conductors.

Applications: Electrical panels, circuit breaker connections, motors, machines, busbars, electrical distribution boards, among others.

Material: Electrolytic copper.

Finish: Tin Plated.



Datasheet

Conductors - Cross Section (mm²)

4 - 6

Dimensions (mm)

Diâmetro do Furo (mm)

6,5

Parafuso*

Pol.

3/16

Métrico

M5

L

7,8

A

22,5

CB

6,0

AF

5,5

D

12,0

E

2,0

Current (A)

73

Application Tool

Alicate Mecânico

Modelo

AT-10

Matriz (AT-60)

-

Alicate Hidráulico (AY-96 / CY-96)

Matriz Circunf.

-

Matriz Hexagonal

-

Package

Qtd / Emb

100

Peso Unit. (g)

2,40