

**TF - COPPER TERMINAL FOR FLEXIBLE CONDUCTORS (ONE HOLE / SHORT BARREL)**

TF-70-8

**Description**

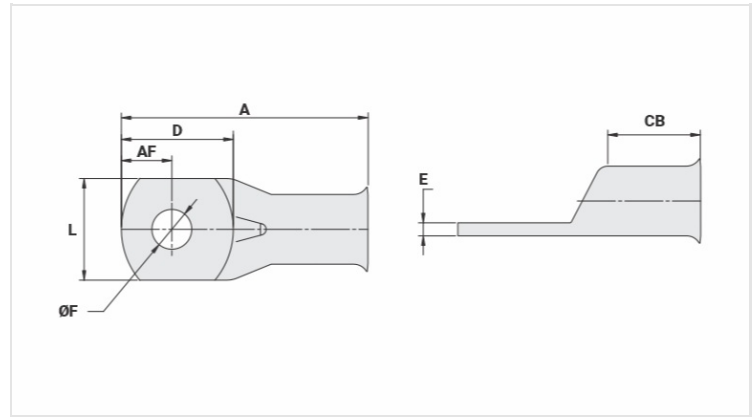
**Purpose:** Termination of copper conductors.

**Characteristics:** High electrical conductivity and corrosion resistance. Pad with several hole diameter options and optimum electrical contact. Expanded shape barrel for easy insertion of flexible conductors.

**Applications:** Electrical panels, circuit breaker connections, motors, machines, busbars, electrical distribution boards, among others.

**Material:** Electrolytic copper.

**Finish:** Tin Plated.



**Datasheet**

**Conductors - Cross Section (mm<sup>2</sup>)** 70

**Dimensions (mm)**

Diâmetro do Furo (mm)	8,5
Parafuso*	
Pol.	3/8
Métrico	M10
L	20,3
A	45,5
CB	16,0
AF	10,0
D	22,0
E	3,0

**Current (A)** 353

**Application Tool**

Alicate Mecânico	
Modelo	AT-60/68
Matriz (AT-60)	IW-26
Alicate Hidráulico (AY-96 / CY-96)	
Matriz Circunf.	IU-26
Matriz Hexagonal	H-26

**Package**

Qtd / Emb

50

Peso Unit. (g)

22,50