

**TF - COPPER TERMINAL FOR FLEXIBLE CONDUCTORS (ONE HOLE / SHORT BARREL)**

TF-95

**Description**

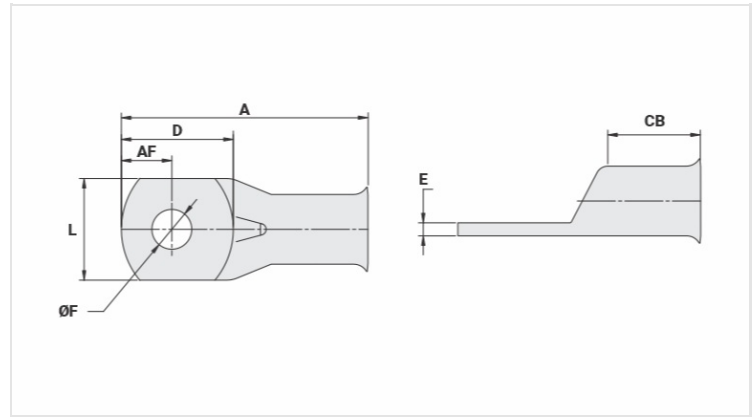
**Purpose:** Termination of copper conductors.

**Characteristics:** High electrical conductivity and corrosion resistance. Pad with several hole diameter options and optimum electrical contact. Expanded shape barrel for easy insertion of flexible conductors.

**Applications:** Electrical panels, circuit breaker connections, motors, machines, busbars, electrical distribution boards, among others.

**Material:** Electrolytic copper.

**Finish:** Tin Plated.



**Datasheet**

**Conductors - Cross Section (mm<sup>2</sup>)** 95

**Dimensions (mm)**

Diâmetro do Furo (mm)	10,5
Parafuso*	
Pol.	3/8
Métrico	M10
L	24,0
A	49,0
CB	17,5
AF	10,0
D	22,0
E	3,0

**Current (A)** 430

**Application Tool**

Alicate Mecânico	
Modelo	AT-60/68
Matriz (AT-60)	IW-27
Alicate Hidráulico (AY-96 / CY-96)	
Matriz Circunf.	IU-27
Matriz Hexagonal	H-27

**Package**

Qtd / Emb

50

Peso Unit. (g)

27,70