

**TF - COPPER TERMINAL FOR FLEXIBLE CONDUCTORS (ONE HOLE / SHORT BARREL)**

TF-150-17

**Description**

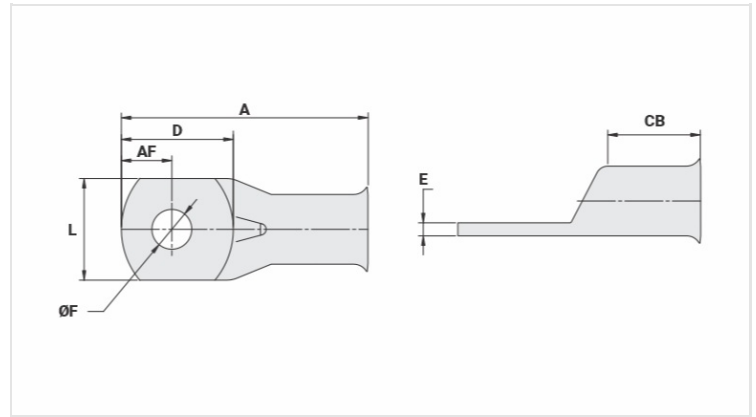
**Purpose:** Termination of copper conductors.

**Characteristics:** High electrical conductivity and corrosion resistance. Pad with several hole diameter options and optimum electrical contact. Expanded shape barrel for easy insertion of flexible conductors.

**Applications:** Electrical panels, circuit breaker connections, motors, machines, busbars, electrical distribution boards, among others.

**Material:** Electrolytic copper.

**Finish:** Tin Plated.



**Datasheet**

**Conductors - Cross Section (mm<sup>2</sup>)** 150

**Dimensions (mm)**

Diâmetro do Furo (mm) 17,5

Parafuso\*

Pol. 1/2

Métrico M12

L 30,0

A 66,0

CB 24,00

AF 13,0

D 29,5

E 3,6

**Current (A)** 577

**Application Tool**

Alicate Mecânico

Modelo -

Matriz (AT-60) -

Alicate Hidráulico (AY-96 / CY-96)

Matriz Circunf. IU-30

Matriz Hexagonal H-30

**Package**

Qtd / Emb

30

Peso Unit. (g)

53,40