

TF-L - COPPER TERMINAL FOR FLEXIBLE CONDUCTORS (ONE HOLE / LONG BARREL)

TF-50-L-10

Description

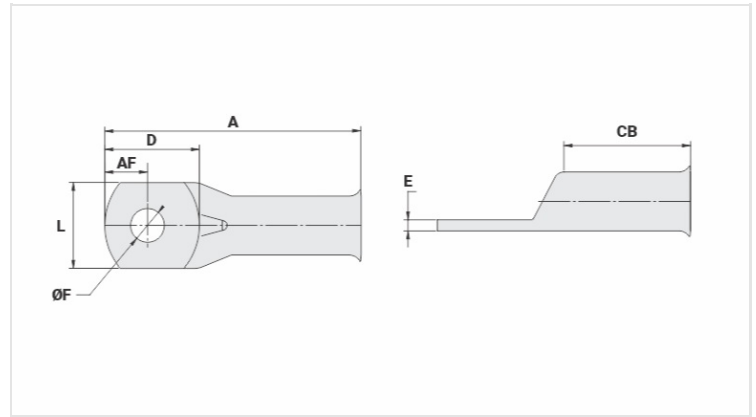
Purpose: Termination of copper conductors.

Characteristics: High electrical conductivity and corrosion resistance. Pad with several hole diameter options and optimum electrical contact. Expanded shape barrel for easy insertion of flexible conductors.

Applications: Electrical panels, circuit breaker connections, motors, machines, busbars, electrical distribution boards, among others.

Material: Electrolytic copper.

Finish: Tin Plated.



Datasheet

Conductors - Cross Section (mm²) 50

Dimensions (mm)

| | |
|-----------------------|------|
| Diâmetro do Furo (mm) | 10,5 |
| Parafuso* | |
| Pol. | 5/16 |
| Métrico | M8 |
| L | 18,0 |
| A | 54,5 |
| CB | 27,0 |
| AF | 9,0 |
| D | 19,5 |
| E | 2,7 |

Current (A) 275

Application Tool

| | |
|------------------------------------|----------|
| Alicate Mecânico | |
| Modelo | AT-60/68 |
| Matriz (AT-60) | IW-1 |
| Alicate Hidráulico (AY-96 / CY-96) | |
| Matriz Circunf. | IU-25** |
| Matriz Hexagonal | H-25 |

Package

Qtd / Emb

50

Peso Unit. (g)

20,00