

**TF-L - COPPER TERMINAL FOR FLEXIBLE CONDUCTORS (ONE HOLE / LONG BARREL)**

TF-300-L

**Description**

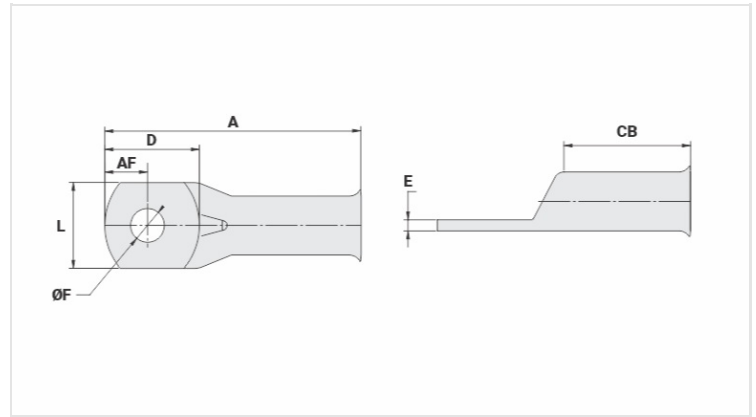
**Purpose:** Termination of copper conductors.

**Characteristics:** High electrical conductivity and corrosion resistance. Pad with several hole diameter options and optimum electrical contact. Expanded shape barrel for easy insertion of flexible conductors.

**Applications:** Electrical panels, circuit breaker connections, motors, machines, busbars, electrical distribution boards, among others.

**Material:** Electrolytic copper.

**Finish:** Tin Plated.



**Datasheet**

**Conductors - Cross Section (mm<sup>2</sup>)** 300

**Dimensions (mm)**

|                       |       |
|-----------------------|-------|
| Diâmetro do Furo (mm) | 13,8  |
| Parafuso*             |       |
| Pol.                  | 1/2   |
| Métrico               | M12   |
| L                     | 41,5  |
| A                     | 103,0 |
| CB                    | 47,0  |
| AF                    | 19,0  |
| D                     | 40,0  |
| E                     | 5,0   |

**Current (A)** 902

**Application Tool**

|                                    |       |
|------------------------------------|-------|
| Alicate Mecânico                   |       |
| Modelo                             | -     |
| Matriz (AT-60)                     | -     |
| Alicate Hidráulico (AY-96 / CY-96) |       |
| Matriz Circunf.                    | IU-36 |
| Matriz Hexagonal                   | H-36  |

**Package**

Qtd / Emb

10

Peso Unit. (g)

170,00