

TAL - EXTRUDED ALUMINUM TERMINAL (ONE HOLE)

TAL-16

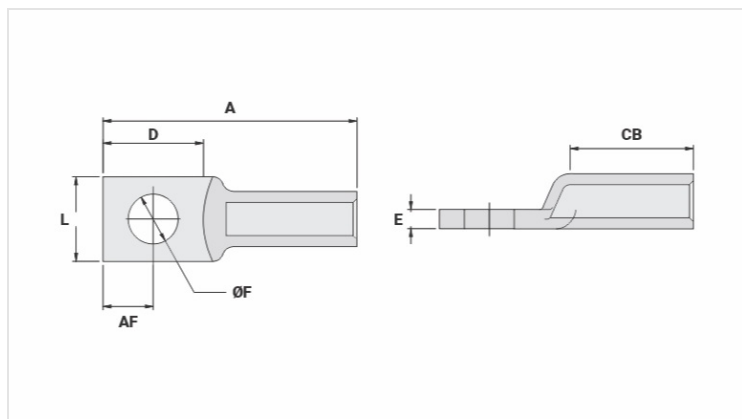
Description

Purpose: Cable to busbar termination for CA or CAA aluminum cables.

Characteristics: Compression connection. High electrical conductivity and resistance to corrosion.

Application: Power distribution lines.

Material: Extruded aluminum. Supplied with antioxiide compound INTELTROX.



Datasheet

Conductors

CA Compacto (mm ²)	16
AWG/MCM	
CA	6
CAA	6

Dimensions

Diâmetro do Furo (mm)	8,0
Parafuso	
Pol.	5/16
Métrico	M8
L	18,0
A	66,0
CB	32,0
D	26,0
E	4,0
AF	13,0

Application Tool

Alicate Mecânico (AT-60 4t)	
Matriz	IW-237
Compressões	2
Alicate Hidráulico (AY-96 / CY-96)	
Matriz	IU-237
Compressões	1

Package

Qty / Emb

100

Peso Unit. (g)

14,50