

**TAL - EXTRUDED ALUMINUM TERMINAL (ONE HOLE)**

TAL-38

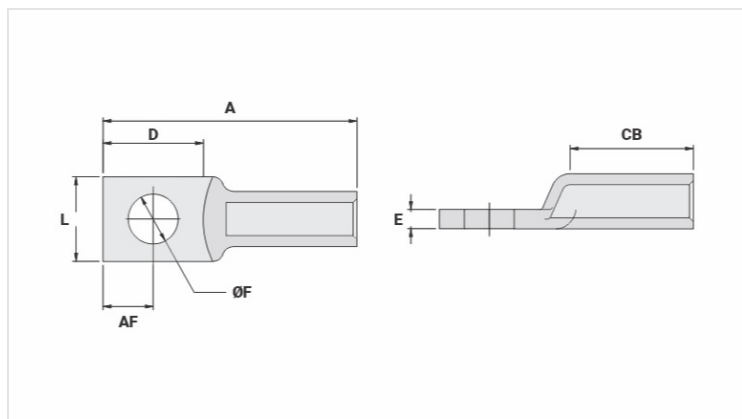
**Description**

**Purpose:** Cable to busbar termination for CA or CAA aluminum cables.

**Characteristics:** Compression connection. High electrical conductivity and resistance to corrosion.

**Application:** Power distribution lines.

**Material:** Extruded aluminum. Supplied with antioxiide compound INTELTROX.



**Datasheet**

**Conductors**

CA Compacto (mm <sup>2</sup> )	35
AWG/MCM	
CA	2
CAA	2

**Dimensions**

Diâmetro do Furo (mm)	13,0
Parafuso	
Pol.	1/2
Métrico	M12
L	22,0
A	66,0
CB	32,0
D	26,0
E	5,0
AF	13,0

**Application Tool**

Alicate Mecânico (AT-60 4t)	
Matriz	IW-239
Compressões	2
Alicate Hidráulico (AY-96 / CY-96)	
Matriz	IU-239
Compressões	1

**Package**

Qtd / Emb

50

Peso Unit. (g)

16,50