

**TAL-2 - EXTRUDED ALUMINUM TERMINAL (TWO HOLES)**

TAL-32-2

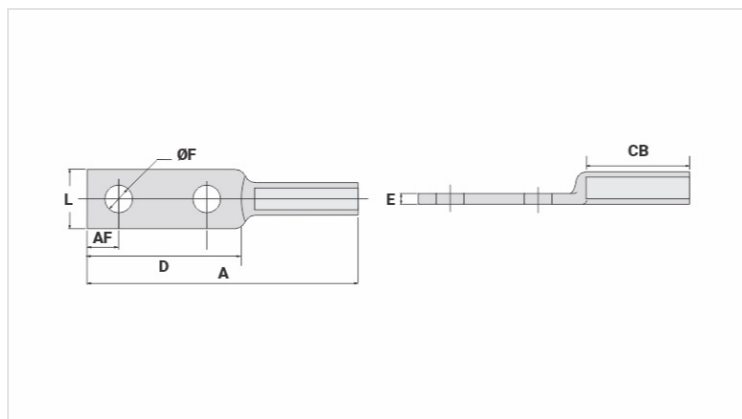
**Description**

**Purpose:** Cable to busbar termination for CA or CAA aluminum cables.

**Characteristics:** Compression connection. High electrical conductivity and resistance to corrosion.

**Application:** Power distribution lines.

**Material:** Extruded aluminum. Supplied with antioxidant compound INTELTROX.



**Datasheet**

**Conductors**

CA Compacto (mm <sup>2</sup> )	25
AWG/MCM	
CA	4
CAA	4

**Dimensions**

Diâmetro do Furo (mm)	14,0
Parafuso	
Pol.	1/2
Métrico	M12
L	22,0
A	138,0
CB	54,0
D	76,0
E	5,0
AF	16,0

**Application Tool**

Alicate Mecânico (AT-60 4t)	
Matriz	IW-239
Compressões	4
Alicate Hidráulico (AY-96 / CY-96)	
Matriz	IU-239
Compressões	2

**Package**

Qty / Emb

100

Peso Unit. (g)

40,50