

TAL-2 - EXTRUDED ALUMINUM TERMINAL (TWO HOLES)

TAL-49-2

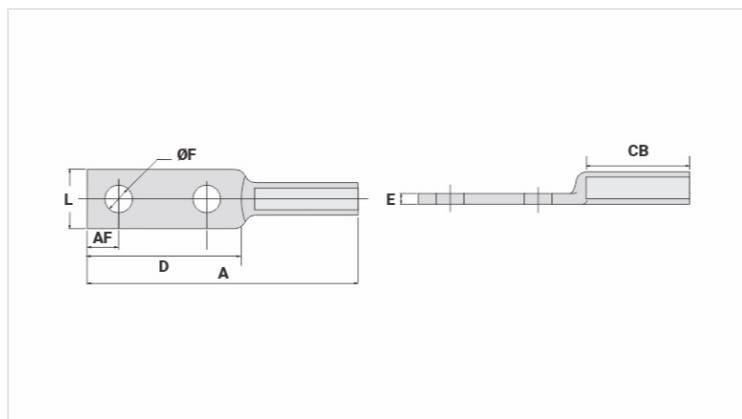
Description

Purpose: Cable to busbar termination for CA or CAA aluminum cables.

Characteristics: Compression connection. High electrical conductivity and resistance to corrosion.

Application: Power distribution lines.

Material: Extruded aluminum. Supplied with antioxidant compound INTELTROX.



Datasheet

Conductors

CA Compacto (mm ²)	70
AWG/MCM	
CA	2/0
CAA	-

Dimensions

Diâmetro do Furo (mm)	14,00
Parafuso	
Pol.	1/2
Métrico	M12
L	24,0
A	155,0
CB	66,0
D	76,0
E	6,0
AF	16,0

Application Tool

Alicate Mecânico (AT-60 4t)	
Matriz	IW-243
Compressões	6
Alicate Hidráulico (AY-96 / CY-96)	
Matriz	IU-243
Compressões	3

Package

Qty / Emb

80

Peso Unit. (g)

55,00