

**TAL-2 - EXTRUDED ALUMINUM TERMINAL (TWO HOLES)**

TAL-60-2

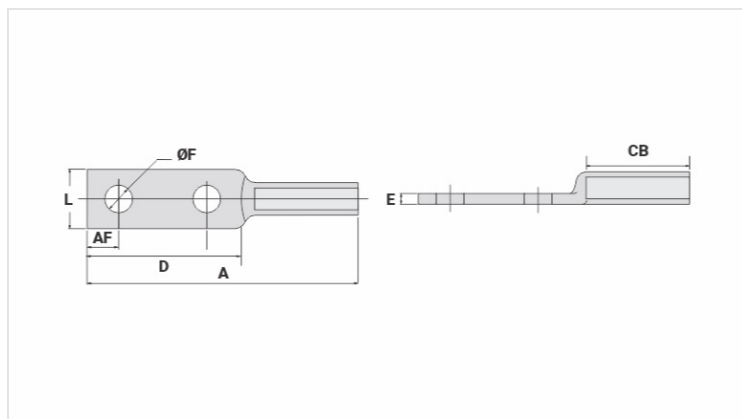
**Description**

**Purpose:** Cable to busbar termination for CA or CAA aluminum cables.

**Characteristics:** Compression connection. High electrical conductivity and resistance to corrosion.

**Application:** Power distribution lines.

**Material:** Extruded aluminum. Supplied with antioxidant compound INTELTROX.



**Datasheet**

**Conductors**

CA Compacto (mm <sup>2</sup> )	120
AWG/MCM	
CA	4/0
CAA	4/0

**Dimensions**

Diâmetro do Furo (mm)	14,0
Parafuso	
Pol.	1/2
Métrico	M12
L	32,0
A	173,0
CB	81,0
D	78,0
E	8,2
AF	16,0

**Application Tool**

Alicate Mecânico (AT-60 4t)	
Matriz	IW-249
Compressões	6
Alicate Hidráulico (AY-96 / CY-96)	
Matriz	IU-249
Compressões	3

**Package**

Qty / Emb

50

Peso Unit. (g)

108,00