

**TAL-2 - EXTRUDED ALUMINUM TERMINAL (TWO HOLES)**

TAL-80-2

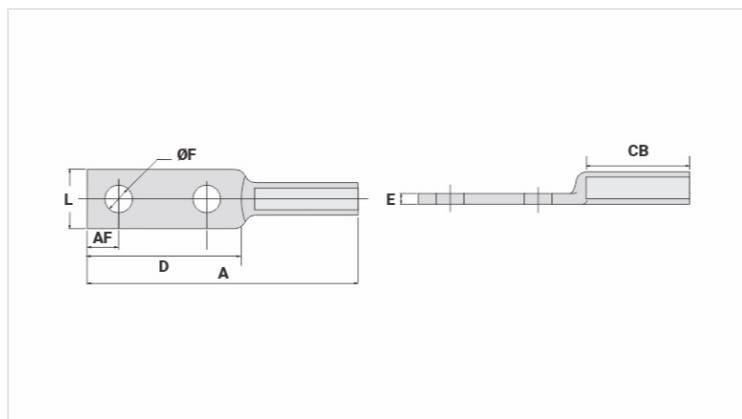
**Description**

**Purpose:** Cable to busbar termination for CA or CAA aluminum cables.

**Characteristics:** Compression connection. High electrical conductivity and resistance to corrosion.

**Application:** Power distribution lines.

**Material:** Extruded aluminum. Supplied with antioxidant compound INTELTROX.



**Datasheet**

**Conductors**

CA Compacto (mm <sup>2</sup> )	240
AWG/MCM	
CA	397,5
CAA	336,4

**Dimensions**

Diâmetro do Furo (mm)	14,0
Parafuso	
Pol.	1/2
Métrico	M12
L	42,0
A	190,0
CB	94,0
D	78,0
E	9,0
AF	16,0

**Application Tool**

Alicate Mecânico (AT-60 4t)	
Matriz	-
Compressões	-
Alicate Hidráulico (AY-96 / CY-96)	
Matriz	IU-316
Compressões	4

**Package**

Qty / Emb

20

Peso Unit. (g)

197,40