

**TALF - CAST ALUMINUM TERMINAL**

TALF-32-2

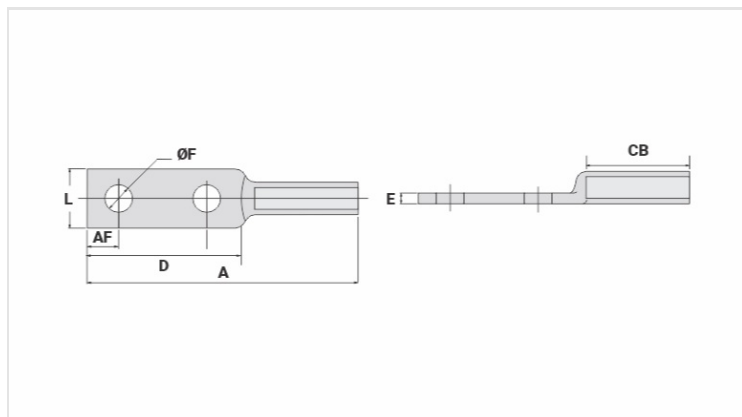
**Description**

**Purpose:** Cable to busbar termination for CA or CAA aluminum cables.

**Characteristics:** Compression connection. High electrical conductivity and corrosion resistance. Hole diameter per NEMA standard.

**Application:** Power distribution lines.

**Material:** Cast aluminum. Supplied with antioxidant compound INTELTROX.



**Datasheet**

**Conductors**

CA Compacto (mm <sup>2</sup> )	25
AWG/MCM	
CA	4
CAA	4

**Dimensions**

Diâmetro do Furo (mm)	14,0
Parafuso	
Pol.	1/2
Métrico	M12
L	30,0
A	137,0
CB	52,0
D	48,0
E	5,0
AF	16,0

**Application Tool**

Alicate Mecânico (AT-60 4t)	
Matriz	IW-237
Compressões	4
Alicate Hidráulico (AY-96 / CY-96)	
Matriz	IU-237

**Package**

Qtd / Emb	100
Peso Unit. (g)	50,00