

TALF - CAST ALUMINUM TERMINAL

TALF-44-2

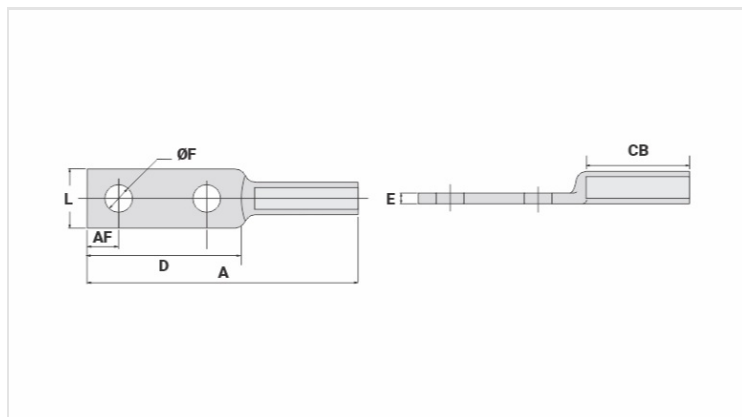
Description

Purpose: Cable to busbar termination for CA or CAA aluminum cables.

Characteristics: Compression connection. High electrical conductivity and corrosion resistance. Hole diameter per NEMA standard.

Application: Power distribution lines.

Material: Cast aluminum. Supplied with antioxidant compound INTELTROX.



Datasheet

Conductors

CA Compacto (mm ²)	50 - 70
AWG/MCM	
CA	1/0
CAA	1/0

Dimensions

Diâmetro do Furo (mm)	14,0
Parafuso	
Pol.	1/2
Métrico	M12
L	30,0
A	137,0
CB	52,0
D	78,0
E	5,5
AF	16,0

Application Tool

Alicate Mecânico (AT-60 4t)	
Matriz	IW-243
Compressões	4
Alicate Hidráulico (AY-96 / CY-96)	
Matriz	IU-243

Package

Qtd / Emb	100
Peso Unit. (g)	58,40