

**TCF - CAST COPPER TERMINAL**

TCF-16-2

**Description**

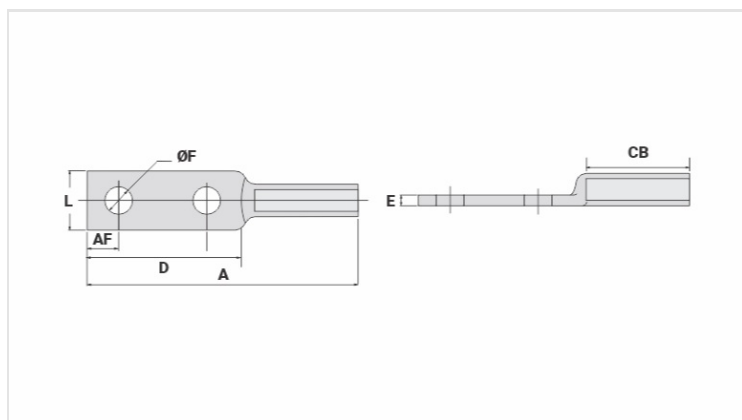
Purpose: Cable to busbar termination for copper cables.

Characteristics: Compression connection. High electrical conductivity and resistance to corrosion. Drilling per NEMA standard.

Application: Power distribution lines.

Material: Copper Alloy.

Finish: No Finishing. Supplied with antioxide compound INTELTROX-Cu.



**Datasheet**

**Conductors - Cross Section (mm<sup>2</sup>)** 16

**Dimensions**

Diâmetro do Furo (mm)	14,0
Parafuso	
Pol.	1/2
Métrico	M12
L	30,0
A	137,0
CB	52,0
D	78,0
E	5,5
AF	16,0

**Application Tool**

Alicate Mecânico (AT-60 4t)	
Matriz	IW-237
Compressões	4
Alicate Hidráulico (AY-96 / CY-96)	
Matriz	IU-237
Compressões	2

**Package**

Qtd / Emb	50
-----------	----

