

TBTA - BIMETALLIC COMPRESSION TERMINAL

TBTA-120-13

Description

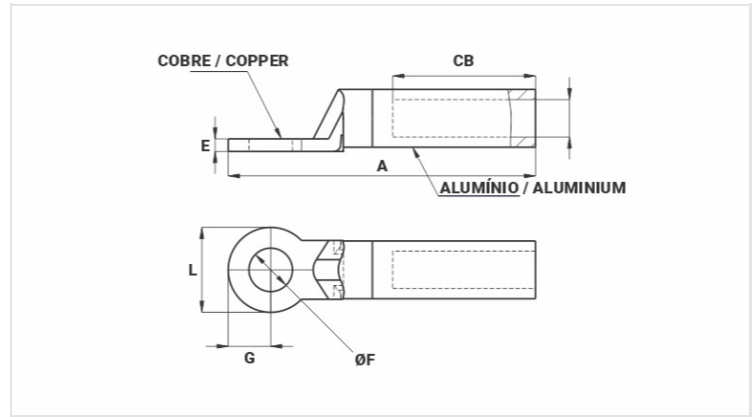
Purpose: Bimetallic cable to busbar termination (aluminum or ALUMOSTEEL cable to copper busbar).

Characteristics: Compression connection. Its construction (copper pad and aluminum barrel) prevents the formation of galvanic corrosion. Pad with one hole.

Applications: Power distribution lines.

Material: Electrolytic copper pad and extruded aluminum barrel. Supplied with antioxidant compound INTELTROX.

Note: For installation in regions of aggressive environments, it is recommended to use thermoset insulation or self-fusing tape in the connection.



Datasheet

AAC Conductor

AWG/MCM 4/0

Compacto (mm²) 120

Dimensions (mm)

Diâmetro do Furo (mm) 12,8

L 30,0

A 106,0

CB 50,0

E 4,0

G 15,0

Application Tool

Alicate Mecânico (AT-60 4t)

Matriz (IW) 249

Nº de Compressões 4

Alicate Hidráulico (AY-96 / CY-96)

Matriz (IU) 249

Matriz (MH) 249A

Nº de Compressões 2

Package

Qtd / Emb 50

