

## TBTA - BIMETALLIC COMPRESSION TERMINAL

TBTA-185-13

### Description

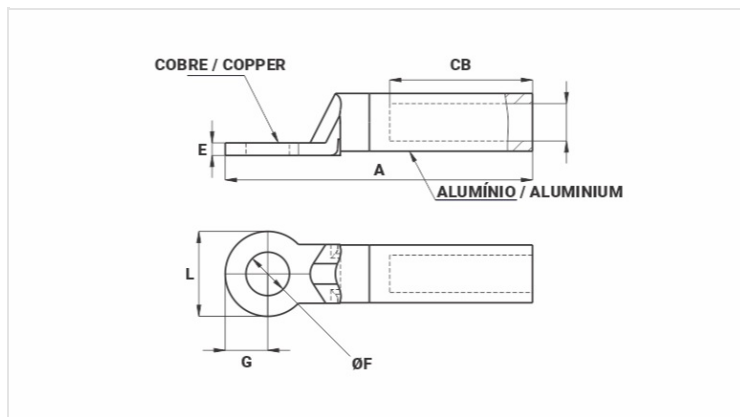
**Purpose:** Bimetallic cable to busbar termination (aluminum or ALUMOSTEEL cable to copper busbar).

**Characteristics:** Compression connection. Its construction (copper pad and aluminum barrel) prevents the formation of galvanic corrosion. Pad with one hole.

**Applications:** Power distribution lines.

**Material:** Electrolytic copper pad and extruded aluminum barrel. Supplied with antioxidant compound INTELTROX.

**Note:** For installation in regions of aggressive environments, it is recommended to use thermoset insulation or self-fusing tape in the connection.



### Datasheet

#### AAC Conductor

AWG/MCM	336,4
Compacto (mm <sup>2</sup> )	185

#### Dimensions (mm)

Diâmetro do Furo (mm)	12,8
L	32,0
A	120,0
CB	60,0
E	6,0
G	16,0

#### Application Tool

Alicate Mecânico (AT-60 4t)	
Matriz (IW)	-
Nº de Compressões	-
Alicate Hidráulico (AY-96 / CY-96)	
Matriz (IU)	316
Matriz (MH)	-
Nº de Compressões	3

#### Package

Qtd / Emb	15
-----------	----

