

TBB - BIMETALLIC TERMINAL FOR TERMINAL BLOCK

TBB-16-25

Description

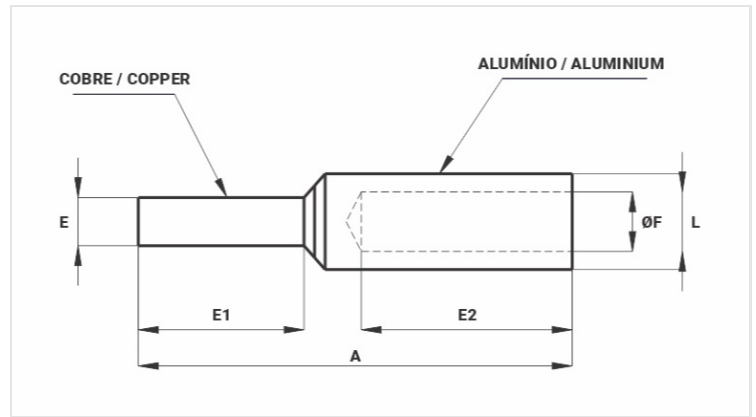
Purpose: Bimetallic termination cable-strip (aluminum cable to copper block). Connection on terminal block, transformer bushing, circuit breakers.

Characteristics: Compression connection. Its construction (copper pin and aluminum barrel) prevents galvanic corrosion.

Applications: Power distribution lines.

Material: Electrolytic copper pin and extruded aluminum barrel. Supplied with INTELTROX antioxidant compound.

Note: For installation in regions of aggressive climate, it is recommended to use thermoset insulation or self-fusing tape in the connection.



Datasheet

AAC Conductor

AWG/MCM	6
mm ²	16

Dimensions

L	
A	57,0
E1	25,0
E2	25,0
E	4,0
ØI	5,8

Application Tool

Alicates Mecânico (AT-60 4t)	
Matriz (IW)	161
Alicates Hidráulico (AY-96 / CY-96)	
Matriz (IU)	161
Matriz (MH)	-

Package

Qtd / Emb	100
Peso Unit. (g)	7,8

