

**TBB - BIMETALLIC TERMINAL FOR TERMINAL BLOCK**

TBB-25-30

**Description**

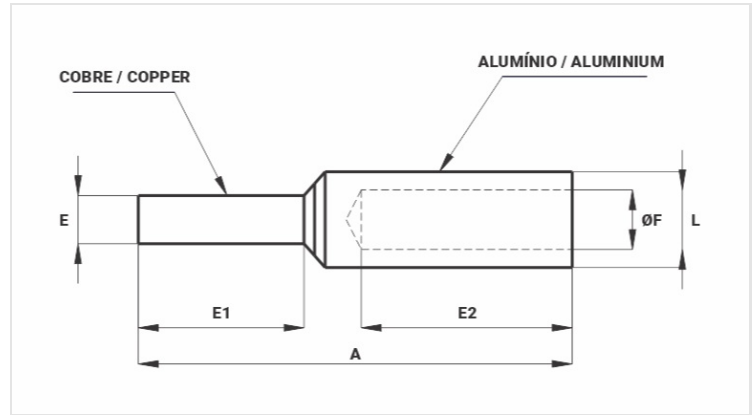
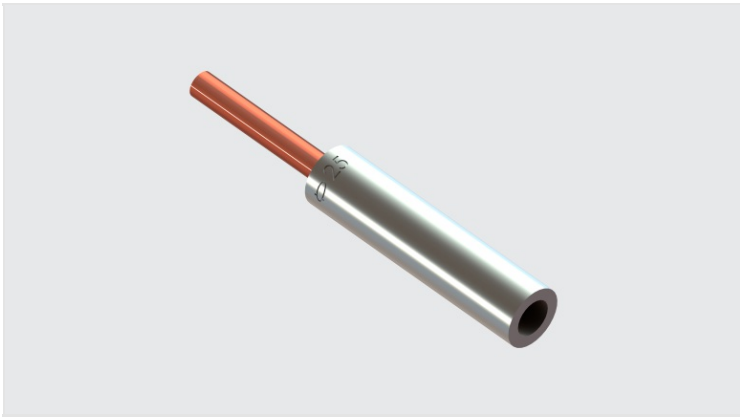
**Purpose:** Bimetallic termination cable-strip (aluminum cable to copper block). Connection on terminal block, transformer bushing, circuit breakers.

**Characteristics:** Compression connection. Its construction (copper pin and aluminum barrel) prevents galvanic corrosion.

**Applications:** Power distribution lines.

**Material:** Electrolytic copper pin and extruded aluminum barrel. Supplied with INTELTROX antioxidant compound.

**Note:** For installation in regions of aggressive climate, it is recommended to use thermoset insulation or self-fusing tape in the connection.



**Datasheet**

**AAC Conductor**

AWG/MCM	4
mm <sup>2</sup>	25

**Dimensions**

L	
A	80,0
E1	30,0
E2	42,0
E	5,0
ØI	7,0

**Application Tool**

Alicates Mecânico (AT-60 4t)	
Matriz (IW)	162
Alicates Hidráulico (AY-96 / CY-96)	
Matriz (IU)	162
Matriz (MH)	-

**Package**

Qtd / Emb	100
Peso Unit. (g)	10,8

