

**TBB - BIMETALLIC TERMINAL FOR TERMINAL BLOCK**

TBB-50-45

**Description**

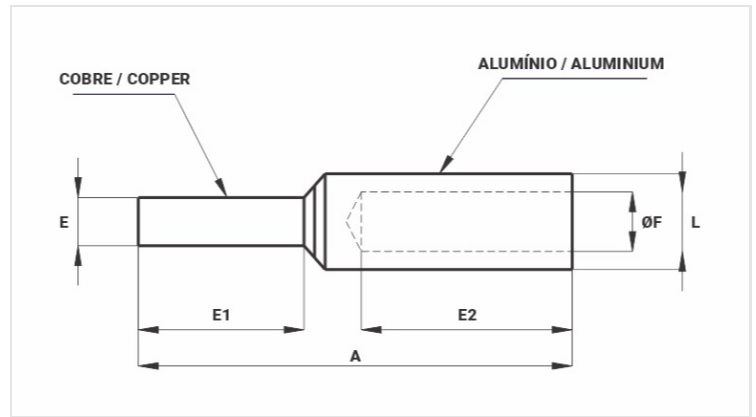
**Purpose:** Bimetallic termination cable-strip (aluminum cable to copper block). Connection on terminal block, transformer bushing, circuit breakers.

**Characteristics:** Compression connection. Its construction (copper pin and aluminum barrel) prevents galvanic corrosion.

**Applications:** Power distribution lines.

**Material:** Electrolytic copper pin and extruded aluminum barrel. Supplied with INTELTROX antioxidant compound.

**Note:** For installation in regions of aggressive climate, it is recommended to use thermoset insulation or self-fusing tape in the connection.



**Datasheet**

**AAC Conductor**

AWG/MCM	1/0
mm <sup>2</sup>	50

**Dimensions**

L	
A	94,0
E1	45,0
E2	42,0
E	7,0
ØI	10,0

**Application Tool**

Alicates Mecânico (AT-60 4t)	
Matriz (IW)	243
Alicates Hidráulico (AY-96 / CY-96)	
Matriz (IU)	243
Matriz (MH)	243A

**Package**

Qtd / Emb	80
Peso Unit. (g)	20,5

