

TBB - BIMETALLIC TERMINAL FOR TERMINAL BLOCK

TBB-120-55

Description

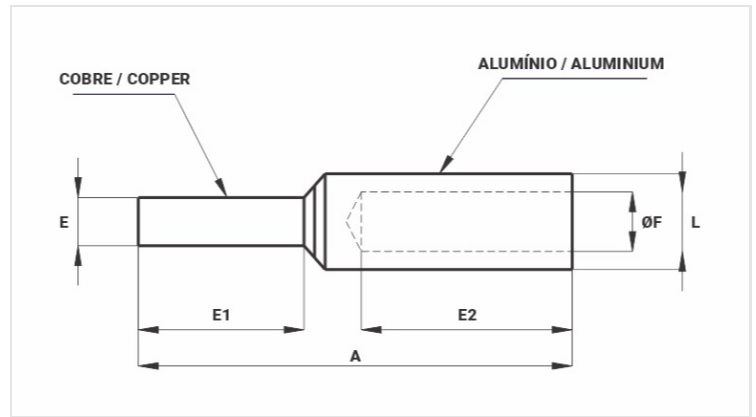
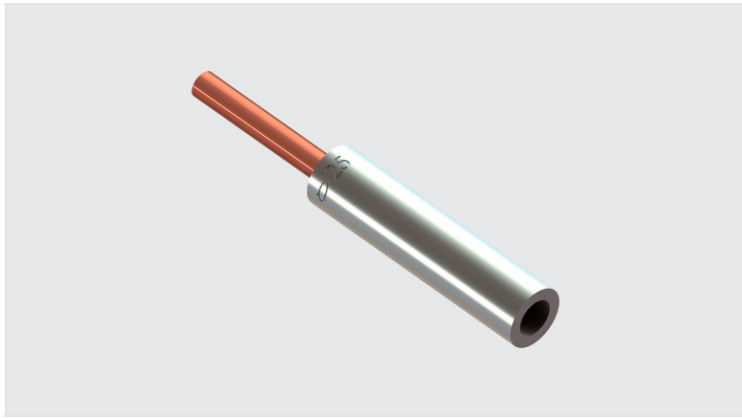
Purpose: Bimetallic termination cable-strip (aluminum cable to copper block). Connection on terminal block, transformer bushing, circuit breakers.

Characteristics: Compression connection. Its construction (copper pin and aluminum barrel) prevents galvanic corrosion.

Applications: Power distribution lines.

Material: Electrolytic copper pin and extruded aluminum barrel. Supplied with INTELTROX antioxidant compound.

Note: For installation in regions of aggressive climate, it is recommended to use thermoset insulation or self-fusing tape in the connection.



Datasheet

AAC Conductor

AWG/MCM 4/0

mm² 120

Dimensions

L

A 112,0

E1 55,0

E2 50,0

E 10,0

ØI 15,0

Application Tool

Alicates Mecânico (AT-60 4t)

Matriz (IW) 249

Alicates Hidráulico (AY-96 / CY-96)

Matriz (IU) 249

Matriz (MH) 249A

Package

Qtd / Emb 50

Peso Unit. (g) 48,5

