

**TTAC - ALUMINUM CABLE-BUSBAR TERMINAL (STRAIGHT CONNECTION)**

TTAC-350-600-2N

**Description**

**Purpose:** Cable to busbar termination for CA or CAA aluminum cables.

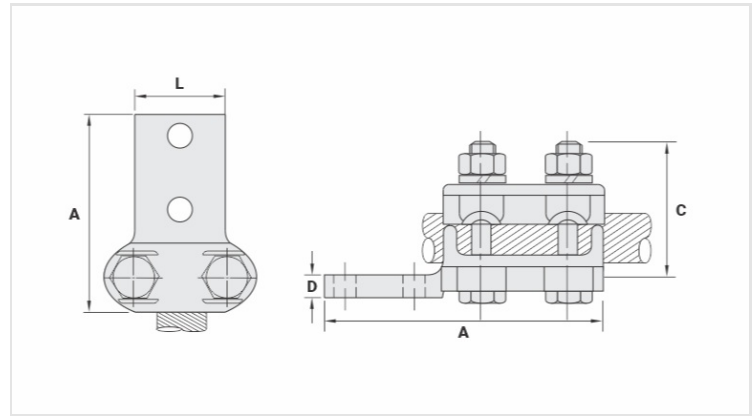
**Characteristics:** Mechanical connection. High electrical conductivity. Pad with two or four NEMA standard holes. There are lugs that lock the head of the screws.

**Application:** Power distribution lines and substations.

**Material:** Cast aluminum alloy and hot galvanized steel fittings.

**Application Tool:** Star or open-ended wrench.

**Note:** Using of the antioxiide compound INTELTROX is recommended.



**Datasheet**

**Conductors**

CA (AWG/MCM)

350 - 600

CAA (AWG)

336,4 - 477

**Screw**

M12

**Dimensions**

L

42,0

A

170,0

C

70,0

D

11,0

Figura

2

**Package**

Qtd / Emb

6

Peso Unit. (g)

860,00