

TTBC - COPPER CABLE-BUSBAR TERMINAL (STRAIGHT CONNECTION)

TTBC-2/0-4/0-2N

Description

Purpose: Cable to busbar termination for copper cables.

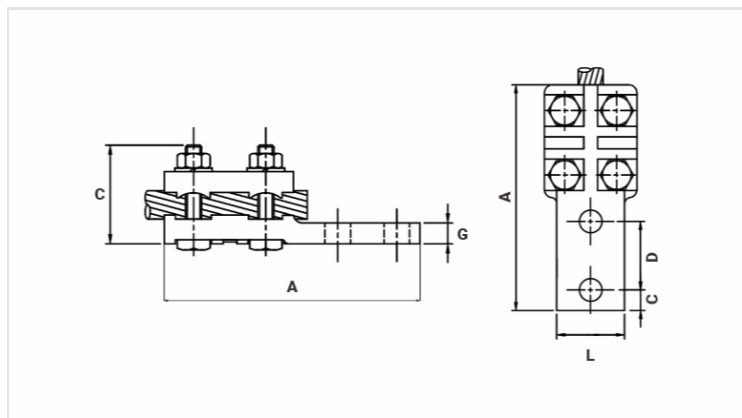
Characteristics: Tightening connection. High electrical conductivity. Pad with two or four holes NEMA standard. There are lugs that lock the head of the screws.

Application: Power distribution lines and substations.

Material: Bronze terminal, fittings in copper alloy.

Application Tool: Star or open-ended wrench.

Note: The use of the antioxidant compound INTELTROX-Cu is recommended.



Datasheet

Conductors

Mínimo	
mm ²	70
AWG/MCM	2/0
Máximo	
mm ²	120
AWG/MCM	4/0

Dimensions

Parafuso	M10
L	32,0
A	147,0
C	55,0
D	44,5
E	16,0
G	10,0
Figura	2

Package

Qtd / Emb	10
Peso Unit. (g)	753,00

