

**TTBC - COPPER CABLE-BUSBAR TERMINAL (STRAIGHT CONNECTION)**

TTBC-250-500-4N

**Description**

**Purpose:** Cable to busbar termination for copper cables.

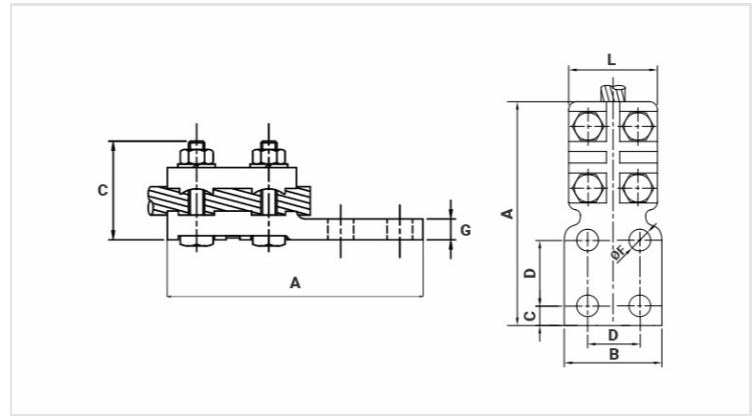
**Characteristics:** Tightening connection. High electrical conductivity. Pad with two or four holes NEMA standard. There are lugs that lock the head of the screws.

**Application:** Power distribution lines and substations.

**Material:** Bronze terminal, fittings in copper alloy.

**Application Tool:** Star or open-ended wrench.

**Note:** The use of the antioxidant compound INTELTROX-Cu is recommended.



**Datasheet**

**Conductors**

Mínimo	
mm <sup>2</sup>	120
AWG/MCM	250
Máximo	
mm <sup>2</sup>	240
AWG/MCM	500

**Dimensions**

Parafuso	M10
L	76,0
A	148,0
C	60,0
D	44,5
E	16,0
G	10,0
Figura	1

**Package**

Qtd / Emb	10
Peso Unit. (g)	1183,00

