

**TPAM - PRESSURE TERMINAL WITH SPRING EFFECT**

TPAM-50

**Description**

**Purpose:** Cable to busbar termination for aluminum AC or ACSR and copper cables. Knife switch termination and transformer bushing.

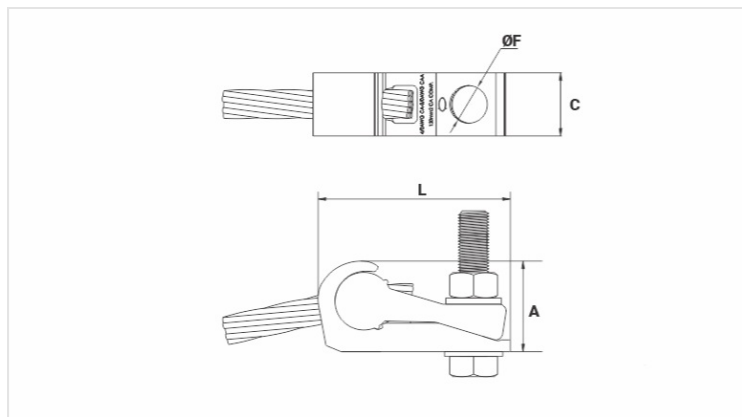
**Characteristics:** Spring system connection (permanent tightening). High electrical conductivity and corrosion resistance. Pad with two or four holes NEMA\* standard. Reusable.

**Application:** Power distribution lines.

**Material:** Aluminum alloy with corrosion inhibiting surface treatment. Supplied with antioxidant compound INTELTROX.

**Application Tool:** Star or open-ended wrench.

**Note:** It may be supplied with or without fittings (stainless steel bolts, nuts and washers).



**Datasheet**

**Diameter Range (mm)**

Lado Menor (P)	6,7 - 7,3
Lado Maior (G)	7,31 - 8,1

**Combinations (mm<sup>2</sup> / AWG)**

Lado Menor (P)	35 CA/Cu Comp.
Lado Maior (G)	2 CA/Cu/CAA   35 CA/Cu   50 CA/Cu Comp.

**Dimensions**

L	48,0
A	22,0
C	18,0
ØF	10,5
Rosca / Comprimento do Parafuso	M8x45

**Package**

Qtd / Emb	90
Peso Unit. (g)	26,00