

**TPAM - PRESSURE TERMINAL WITH SPRING EFFECT**

TPAM-70

**Description**

**Purpose:** Cable to busbar termination for aluminum AC or ACSR and copper cables. Knife switch termination and transformer bushing.

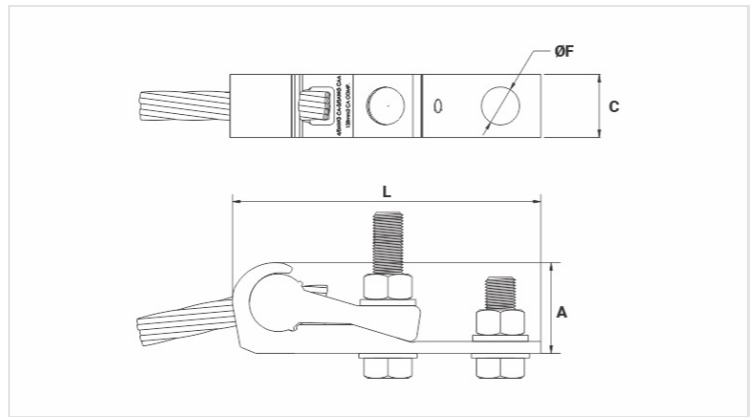
**Characteristics:** Spring system connection (permanent tightening). High electrical conductivity and corrosion resistance. Pad with two or four holes NEMA\* standard. Reusable.

**Application:** Power distribution lines.

**Material:** Aluminum alloy with corrosion inhibiting surface treatment. Supplied with antioxidant compound INTELTROX.

**Application Tool:** Star or open-ended wrench.

**Note:** It may be supplied with or without fittings (stainless steel bolts, nuts and washers).



**Datasheet**

**Diameter Range (mm)**

Lado Menor (P)	9 - 9,7
Lado Maior (G)	10 - 10,6

**Combinations (mm<sup>2</sup> / AWG)**

Lado Menor (P)	1/0 CA/Cu   50 CA/Cu/CAL   70 CA/Cu Comp.
Lado Maior (G)	2/0 CA/Cu   1/0 CAA 70   CA/Cu/CAL

**Dimensions**

L	106,0
A	28,0
C	22,0
ØF	15,0
Rosca / Comprimento do Parafuso	M10x30   M10x60

**Package**

Qtd / Emb	40
Peso Unit. (g)	63,00