

**TPAM - PRESSURE TERMINAL WITH SPRING EFFECT**

TPAM-150

**Description**

**Purpose:** Cable to busbar termination for aluminum AC or ACSR and copper cables. Knife switch termination and transformer bushing.

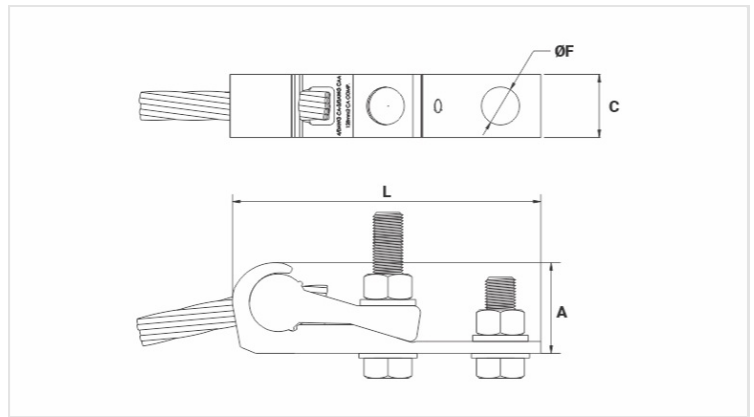
**Characteristics:** Spring system connection (permanent tightening). High electrical conductivity and corrosion resistance. Pad with two or four holes NEMA\* standard. Reusable.

**Application:** Power distribution lines.

**Material:** Aluminum alloy with corrosion inhibiting surface treatment. Supplied with antioxidant compound INTELTROX.

**Application Tool:** Star or open-ended wrench.

**Note:** It may be supplied with or without fittings (stainless steel bolts, nuts and washers).



**Datasheet**

**Diameter Range (mm)**

Lado Menor (P)	14,2 - 14,4
Lado Maior (G)	14,5 - 15,1

**Combinations (mm<sup>2</sup> / AWG)**

Lado Menor (P)	4/0 CAA   150 CA Comp.
Lado Maior (G)	266,8 CA/Cu   120 CA/Cu

**Dimensions**

L	123,0
A	36,0
C	30,0
ØF	15,0
Rosca / Comprimento do Parafuso	M12x40   M12x75

**Package**

Qtd / Emb	25
Peso Unit. (g)	110,00