

TPAM - PRESSURE TERMINAL WITH SPRING EFFECT

TPAM-185

Description

Purpose: Cable to busbar termination for aluminum AC or ACSR and copper cables. Knife switch termination and transformer bushing.

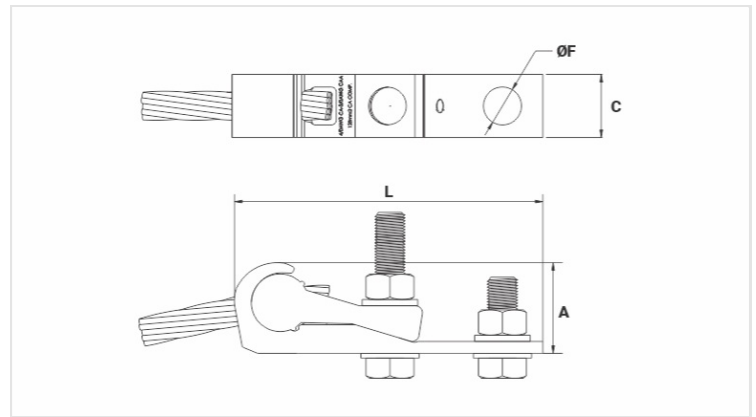
Characteristics: Spring system connection (permanent tightening). High electrical conductivity and corrosion resistance. Pad with two or four holes NEMA* standard. Reusable.

Application: Power distribution lines.

Material: Aluminum alloy with corrosion inhibiting surface treatment. Supplied with antioxidant compound INTELTROX.

Application Tool: Star or open-ended wrench.

Note: It may be supplied with or without fittings (stainless steel bolts, nuts and washers).



Datasheet

Diameter Range (mm)

Lado Menor (P)	15,45 - 17
Lado Maior (G)	17,3 - 18,9

Combinations (mm² / AWG)

Lado Menor (P)	266,8 CAA 336,4 CA/Cu 150 CA/Cu 185 CA/Cu Comp.
Lado Maior (G)	397,5 CA/Cu 336,4 CAA 185 CA/Cu 240 CA/Cu Comp.

Dimensions

L	137,0
A	46,0
C	33,0
ØF	15,0
Rosca / Comprimento do Parafuso	M12x40 M12x75

Package

Qtd / Emb	50
Peso Unit. (g)	216,00