

TAC - ADAPTER TERMINALS FOR WEDGE CONNECTOR

TAC-336,4-2N

Description

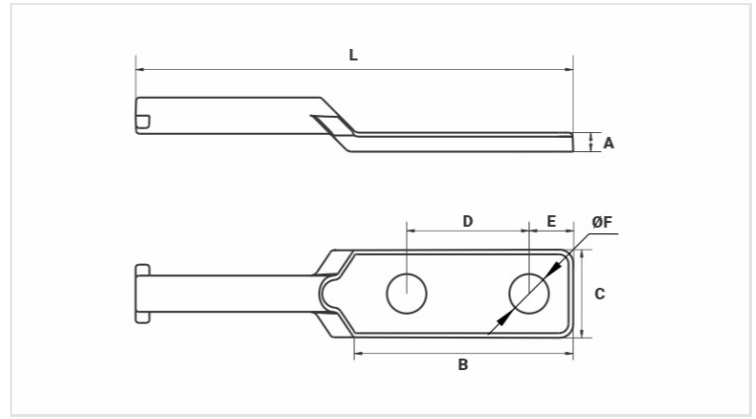
Purpose: Termination on sectioning switches and busbars in conjunction with aluminum wedge connectors.

Characteristics: High electrical conductivity and corrosion resistance. Pad with two or four holes NEMA standard.

Application: Power distribution lines.

Material: Cast aluminum alloy.

Application Tool: Impact tool for wedge connector.



Datasheet

Terminal (Pin Gauge)

AWG/MCM	336,4
Ø (mm)	16,9

Conductors (AWG/MCM)

336,4 | 397,5 | 477 | 556,5

Wedge Type Connectors**

CADC-401 | CADC-503

Dimensions

L	200,0
A	8,2
C	32,0
B	78,0
D	44,5
E	16,0
ØF	14,3

Package

Qtd / Emb	40
Peso Unit. (g)	123,00